

Оборудование для горячего хранения HSH

Технические характеристики

По вопросам продаж и поддержки обращайтесь:

Алматы (727)345-47-04
Ангарск (3955)60-70-56
Архангельск (8182)63-90-72
Астрахань (8512)99-46-04
Барнаул (3852)73-04-60
Белгород (4722)40-23-64
Благовещенск (4162)22-76-07
Брянск (4832)59-03-52
Владивосток (423)249-28-31
Владикавказ (8672)28-90-48
Владимир (4922)49-43-18
Волгоград (844)278-03-48
Вологда (8172)26-41-59
Воронеж (473)204-51-73
Екатеринбург (343)384-55-89

Иваново (4932)77-34-06
Ижевск (3412)26-03-58
Иркутск (395)279-98-46
Казань (843)206-01-48
Калининград (4012)72-03-81
Калуга (4842)92-23-67
Кемерово (3842)65-04-62
Киров (8332)68-02-04
Коломна (4966)23-41-49
Кострома (4942)77-07-48
Краснодар (861)203-40-90
Красноярск (391)204-63-61
Курск (4712)77-13-04
Курган (3522)50-90-47
Липецк (4742)52-20-81

Магнитогорск (3519)55-03-13
Москва (495)268-04-70
Мурманск (8152)59-64-93
Набережные Челны (8552)20-53-41
Нижний Новгород (831)429-08-12
Новокузнецк (3843)20-46-81
Ноябрьск (3496)41-32-12
Новосибирск (383)227-86-73
Омск (3812)21-46-40
Орел (4862)44-53-42
Оренбург (3532)37-68-04
Пенза (8412)22-31-16
Петрозаводск (8142)55-98-37
Псков (8112)59-10-37
Пермь (342)205-81-47

Ростов-на-Дону (863)308-18-15
Рязань (4912)46-61-64
Самара (846)206-03-16
Санкт-Петербург (812)309-46-40
Саратов (845)249-38-78
Севастополь (8692)22-31-93
Саранск (8342)22-96-24
Симферополь (3652)67-13-56
Смоленск (4812)29-41-54
Сочи (862)225-72-31
Ставрополь (8652)20-65-13
Сургут (3462)77-98-35
Сыктывкар (8212)25-95-17
Тамбов (4752)50-40-97
Тверь (4822)63-31-35

Тольятти (8482)63-91-07
Томск (3822)98-41-53
Тула (4872)33-79-87
Тюмень (3452)66-21-18
Ульяновск (8422)24-23-59
Улан-Удэ (3012)59-97-51
Уфа (347)229-48-12
Хабаровск (4212)92-98-04
Чебоксары (8352)28-53-07
Челябинск (351)202-03-61
Череповец (8202)49-02-64
Чита (3022)38-34-83
Якутск (4112)23-90-97
Ярославль (4852)69-52-93

Россия +7(495)268-04-70

Казахстан +7(727)345-47-04

Беларусь +(375)257-127-884

Узбекистан +998(71)205-18-59

Киргизия +996(312)96-26-47

эл.почта: meo@nt-rt.ru || сайт: <https://module.nt-rt.ru/>



HOLD HSH031E

Warm holding cabinet

CONSTRUCTION FEATURES

- Tightness chamber with radiused corners
- Total thermic insulation with rock or glass wool
- Long lasting door seal, made up of food-grade and high-heat resistant silicone
- Static heating provided by low consumption wire heating element that coils up all the chamber
- Ergonomic and fully built-in door handle with magnetic closure
- Opposite side opening

FUNCTIONAL FEATURES

- Electronic control of the temperature
- Operating temperature 30°C ÷ 120°C
- Humidity vents
- Designed for stacking
- Suction feet
- Chamber with safety thermostat
- Manual keyboard lock


STANDARD SUPPLY


- Removable GN1/1 tray racks

OPTIONS & ACCESSORIES

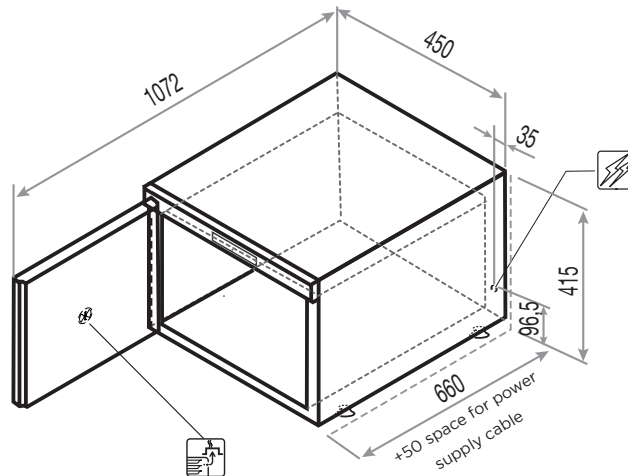
- Frame with wheels
- Frame on feet
- Grids
- Trays
- Handles to carry by hand
- Black colour

TECHNICAL INSTALLATION DIAGRAM

Electricity supply
cable inlet 

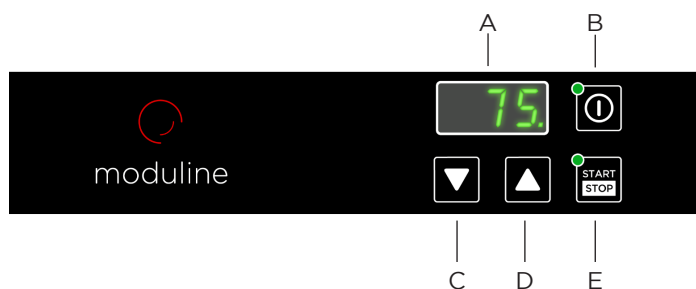
Adjustable vent
for release of
excess humidity 

Important - Drawing and
dimensions refer to the
standard version.
They may change
with the addition of
accessories or options.



Overall dimensions (W x D x H) - mm	450 x 660 x 415h
Power supply	AC 220-240V 50/60Hz
Total input [kW]	0,7 (230V)
Amps. [A]	3,1 (230V)
Working temperature [°C]	30 ÷ 120

Trays capacity - distance [mm]	3 GN 1/1 - (75)
Containers max height [mm]	3 x 65 (h) 1 x 200 (h) 1 x 150 (h) + 1 x 65 (h)
Product max capacity [Kg]	11
Net weight [Kg]	22



- A Display
- B ON/OFF switch
- C Temperature decrease key
- D Temperature increase key
- E START/STOP key



HOLD HSH051E

Warm holding cabinet

CONSTRUCTION FEATURES

- Tightness chamber with radiused corners
- Total thermic insulation with rock or glass wool
- Long lasting door seal, made up of food-grade and high-heat resistant silicone
- Static heating provided by low consumption wire heating element that coils up all the chamber
- Ergonomic and fully built-in door handle with magnetic closure
- Opposite side opening

FUNCTIONAL FEATURES

- Electronic control of the temperature
- Operating temperature 30°C ÷ 120°C
- Humidity vents
- Designed for stacking
- Suction feet
- Chamber with safety thermostat
- Manual keyboard lock


STANDARD SUPPLY


- Removable GN1/1 tray racks

OPTIONS & ACCESSORIES

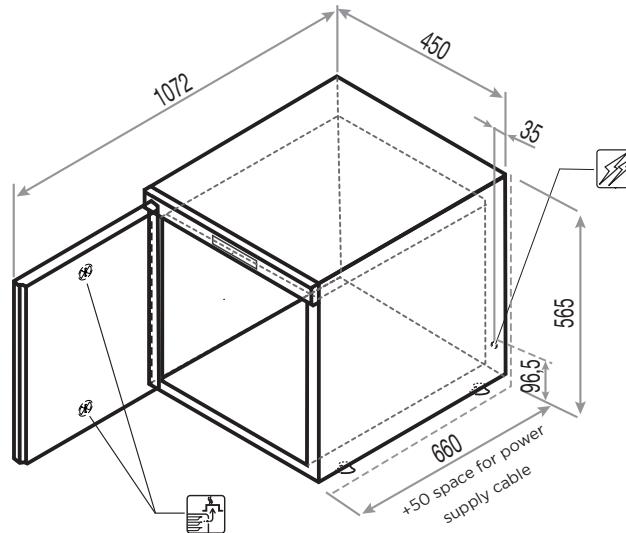
- Frame with wheels
- Frame on feet
- Grids
- Trays
- Handles to carry by hand
- Black colour

TECHNICAL INSTALLATION DIAGRAM

Electricity supply
cable inlet 

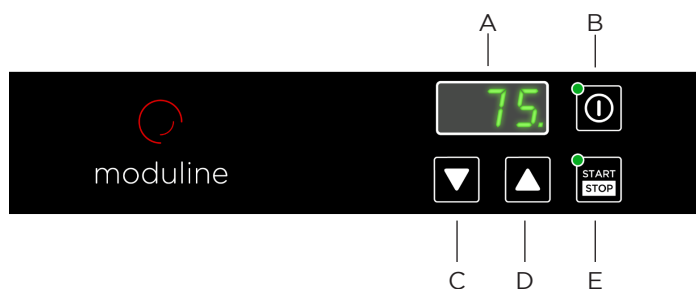
Adjustable vent
for release of
excess humidity 

Important - Drawing and
dimensions refer to the
standard version.
They may change
with the addition of
accessories or options.



Overall dimensions (W x D x H) - mm	450 x 660 x 565h
Power supply	AC 220-240V 50/60Hz
Total input [kW]	1 (230V)
Amps. [A]	4,4 (230V)
Working temperature [°C]	30 ÷ 120

Trays capacity - distance [mm]	5 GN 1/1 - (75)
Containers max height [mm]	5 x 65 (h) 2 x 150 (h) 1 x 200 (h) + 1 x 150 (h)
Product max capacity [Kg]	18
Net weight [Kg]	27



- A Display
- B ON/OFF switch
- C Temperature decrease key
- D Temperature increase key
- E START/STOP key



HOLD HSH052E

Warm holding cabinet

CONSTRUCTION FEATURES

- Tightness chamber with radiused corners
- Total thermic insulation with rock or glass wool
- Long lasting door seal, made up of food-grade and high-heat resistant silicone
- Static heating provided by low consumption wire heating element that coils up all the chamber
- Ergonomic and fully built-in door handle with magnetic closure
- Opposite side opening

FUNCTIONAL FEATURES

- Electronic control of the temperature
- Operating temperature 30°C ÷ 120°C
- Humidity vents
- Designed for stacking
- Suction feet
- Chamber with safety thermostat
- Manual keyboard lock


STANDARD SUPPLY


- Removable GN2/1 tray racks

OPTIONS & ACCESSORIES

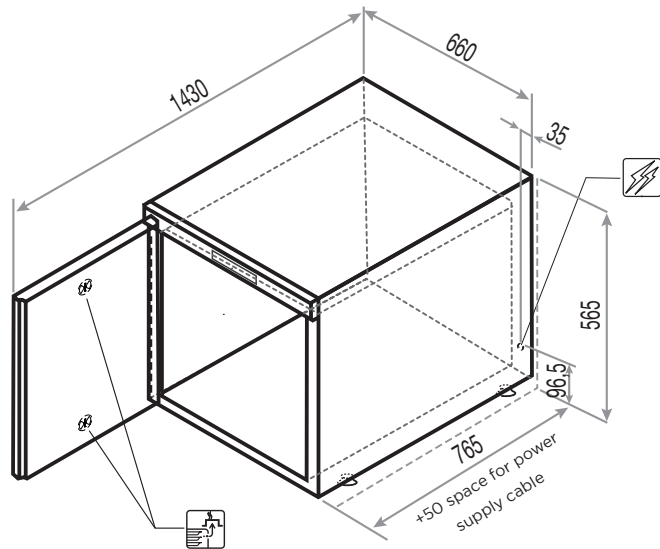
- Frame with wheels
- Frame on feet
- Grids
- Trays
- Handles to carry by hand
- Black colour

TECHNICAL INSTALLATION DIAGRAM

Electricity supply
cable inlet 

Adjustable vent
for release of
excess humidity 

Important - Drawing and
dimensions refer to the
standard version.
They may change
with the addition of
accessories or options.



Overall dimensions
(W x D x H) - mm

660 x 765 x 565h

Power supply

AC 220-240V 50/60Hz

Total input
[kW]

1,5 (230V)

Amps.
[A]

6,5 (230V)

**Working
temperature** [°C]

30 ÷ 120

**Trays capacity -
distance** [mm]

5 GN 2/1 - (75)
10 GN 1/1 - (75)

**Containers max
height GN 2/1** [mm]

5 x 65 (h)
2 x 150 (h)

**Containers max
height GN 1/1** [mm]

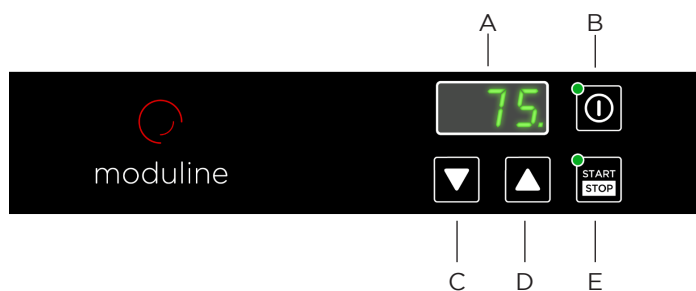
10 x 65 (h)
4 x 150 (h)

**Product max
capacity** [Kg]

36

Net weight
[Kg]

37



- A Display
- B ON/OFF switch
- C Temperature decrease key
- D Temperature increase key
- E START/STOP key

По вопросам продаж и поддержки обращайтесь:

Алматы (727)345-47-04
Ангарск (3955)60-70-56
Архангельск (8182)63-90-72
Астрахань (8512)99-46-04
Барнаул (3852)73-04-60
Белгород (4722)40-23-64
Благовещенск (4162)22-76-07
Брянск (4832)59-03-52
Владивосток (423)249-28-31
Владикавказ (8672)28-90-48
Владимир (4922)49-43-18
Волгоград (844)278-03-48
Вологда (8172)26-41-59
Воронеж (473)204-51-73
Екатеринбург (343)384-55-89

Иваново (4932)77-34-06
Ижевск (3412)26-03-58
Иркутск (395)279-98-46
Казань (843)206-01-48
Калининград (4012)72-03-81
Калуга (4842)92-23-67
Кемерово (3842)65-04-62
Киров (8332)68-02-04
Коломна (4966)23-41-49
Кострома (4942)77-07-48
Краснодар (861)203-40-90
Красноярск (391)204-63-61
Курск (4712)77-13-04
Курган (3522)50-90-47
Липецк (4742)52-20-81

Магнитогорск (3519)55-03-13
Москва (495)268-04-70
Мурманск (8152)59-64-93
Набережные Челны (8552)20-53-41
Нижний Новгород (831)429-08-12
Новокузнецк (3843)20-46-81
Ноябрьск (3496)41-32-12
Новосибирск (383)227-86-73
Омск (3812)21-46-40
Орел (4862)44-53-42
Оренбург (3532)37-68-04
Пенза (8412)22-31-16
Петрозаводск (8142)55-98-37
Псков (8112)59-10-37
Пермь (342)205-81-47

Ростов-на-Дону (863)308-18-15
Рязань (4912)46-61-64
Самара (846)206-03-16
Санкт-Петербург (812)309-46-40
Саратов (845)249-38-78
Севастополь (8692)22-31-93
Саранск (8342)22-96-24
Симферополь (3652)67-13-56
Смоленск (4812)29-41-54
Сочи (862)225-72-31
Ставрополь (8652)20-65-13
Сургут (3462)77-98-35
Сыктывкар (8212)25-95-17
Тамбов (4752)50-40-97
Тверь (4822)63-31-35

Тольятти (8482)63-91-07
Томск (3822)98-41-53
Тула (4872)33-79-87
Тюмень (3452)66-21-18
Ульяновск (8422)24-23-59
Улан-Удэ (3012)59-97-51
Уфа (347)229-48-12
Хабаровск (4212)92-98-04
Чебоксары (8352)28-53-07
Челябинск (351)202-03-61
Череповец (8202)49-02-64
Чита (3022)38-34-83
Якутск (4112)23-90-97
Ярославль (4852)69-52-93

Россия +7(495)268-04-70

Казахстан +7(727)345-47-04

Беларусь +(375)257-127-884

Узбекистан +998(71)205-18-59

Киргизия +996(312)96-26-47

эл.почта: meo@nt-rt.ru || сайт: <https://module.nt-rt.ru/>