

# Оборудование для горячего хранения HSW

## Технические характеристики

По вопросам продаж и поддержки обращайтесь:

Алматы (727)345-47-04  
Ангарск (3955)60-70-56  
Архангельск (8182)63-90-72  
Астрахань (8512)99-46-04  
Барнаул (3852)73-04-60  
Белгород (4722)40-23-64  
Благовещенск (4162)22-76-07  
Брянск (4832)59-03-52  
Владивосток (423)249-28-31  
Владикавказ (8672)28-90-48  
Владимир (4922)49-43-18  
Волгоград (844)278-03-48  
Вологда (8172)26-41-59  
Воронеж (473)204-51-73  
Екатеринбург (343)384-55-89

Иваново (4932)77-34-06  
Ижевск (3412)26-03-58  
Иркутск (395)279-98-46  
Казань (843)206-01-48  
Калининград (4012)72-03-81  
Калуга (4842)92-23-67  
Кемерово (3842)65-04-62  
Киров (8332)68-02-04  
Коломна (4966)23-41-49  
Кострома (4942)77-07-48  
Краснодар (861)203-40-90  
Красноярск (391)204-63-61  
Курск (4712)77-13-04  
Курган (3522)50-90-47  
Липецк (4742)52-20-81

Магнитогорск (3519)55-03-13  
Москва (495)268-04-70  
Мурманск (8152)59-64-93  
Набережные Челны (8552)20-53-41  
Нижний Новгород (831)429-08-12  
Новокузнецк (3843)20-46-81  
Ноябрьск (3496)41-32-12  
Новосибирск (383)227-86-73  
Омск (3812)21-46-40  
Орел (4862)44-53-42  
Оренбург (3532)37-68-04  
Пенза (8412)22-31-16  
Петрозаводск (8142)55-98-37  
Псков (8112)59-10-37  
Пермь (342)205-81-47

Ростов-на-Дону (863)308-18-15  
Рязань (4912)46-61-64  
Самара (846)206-03-16  
Санкт-Петербург (812)309-46-40  
Саратов (845)249-38-78  
Севастополь (8692)22-31-93  
Саранск (8342)22-96-24  
Симферополь (3652)67-13-56  
Смоленск (4812)29-41-54  
Сочи (862)225-72-31  
Ставрополь (8652)20-65-13  
Сургут (3462)77-98-35  
Сыктывкар (8212)25-95-17  
Тамбов (4752)50-40-97  
Тверь (4822)63-31-35

Тольятти (8482)63-91-07  
Томск (3822)98-41-53  
Тула (4872)33-79-87  
Тюмень (3452)66-21-18  
Ульяновск (8422)24-23-59  
Улан-Удэ (3012)59-97-51  
Уфа (347)229-48-12  
Хабаровск (4212)92-98-04  
Чебоксары (8352)28-53-07  
Челябинск (351)202-03-61  
Череповец (8202)49-02-64  
Чита (3022)38-34-83  
Якутск (4112)23-90-97  
Ярославль (4852)69-52-93

Россия +7(495)268-04-70

Казахстан +7(727)345-47-04

Беларусь +(375)257-127-884

Узбекистан +998(71)205-18-59

Киргизия +996(312)96-26-47

эл.почта: [meo@nt-rt.ru](mailto:meo@nt-rt.ru) || сайт: <https://module.nt-rt.ru/>



# HOLD HSW001E

Warm holding drawer

## CONSTRUCTION FEATURES

- Tightness chamber with radiused corners
- Total thermic insulation with rock or glass wool
- Long lasting drawers seals made up of food grade of high heat resistance
- Static heating provided by low consumption wire heating element that coils up all the chamber
- Ergonomic and fully built-in drawers handle with magnetic closure

## FUNCTIONAL FEATURES

- Electronic control of the temperature
- Operating temperature 30° ÷ 120°C
- Humidity vents
- Designed for stacking
- Chamber with safety thermostat
- Manual keyboard lock


## STANDARD SUPPLY


- Removable GN1/1 tray racks

## OPTIONS & ACCESSORIES

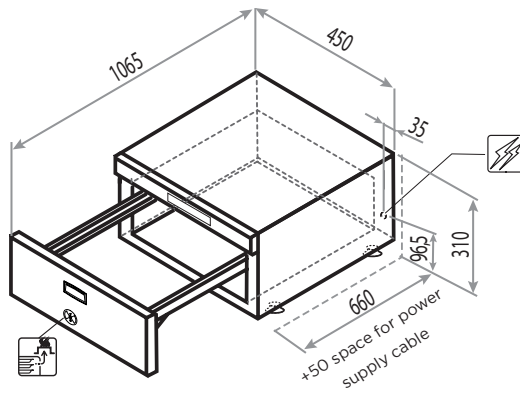
- Frame with wheels
- Frame on feet
- Grids
- Trays
- Handles to carry by hand
- Black colour
- Built-in frame

## TECHNICAL INSTALLATION DIAGRAM

Electricity supply  
cable inlet 

Humidity  
exhaustion vent 

**Important** - Drawing and dimensions refer to the standard version. They may change with the addition of accessories or options.



Overall dimensions  
(W x D x H) - mm

450 x 6

Power supply

AC 220-240V 50/60Hz

Total input  
[kW]

0,7 (230V)

Amps.  
[A]

3,1 (230V)

Working  
temperature [°C]

30 ÷ 120

Trays capacity

1 GN 1/1

Containers max  
height [mm]

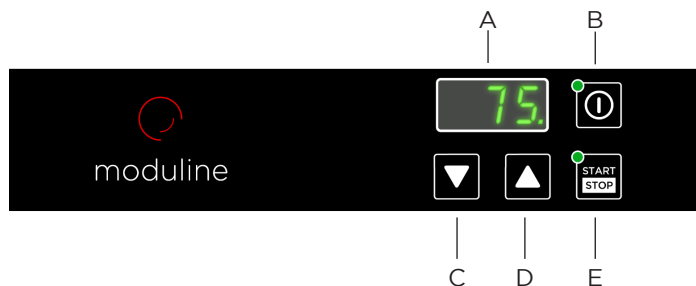
150

Product max  
capacity [Kg]

6

Net weight  
[Kg]

31



- A Display
- B ON/OFF switch
- C Temperature decrease key
- D Temperature increase key
- E START/STOP key



# HOLD HSW002E

Warm holding  
drawers

## CONSTRUCTION FEATURES

- Tightness chamber with radiused corners
- Total thermic insulation with rock or glass wool
- Long lasting drawers seals made up of food grade of high heat resistance
- Static heating provided by low consumption wire heating element that coils up all the chamber
- Ergonomic and fully built-in drawers handle with magnetic closure

## FUNCTIONAL FEATURES

- Electronic control of the temperature
- Operating temperature 30° ÷ 120°C
- Humidity vents
- Designed for stacking
- Chamber with safety thermostat
- Manual keyboard lock


## STANDARD SUPPLY


- Removable GN1/1 tray racks

## OPTIONS & ACCESSORIES

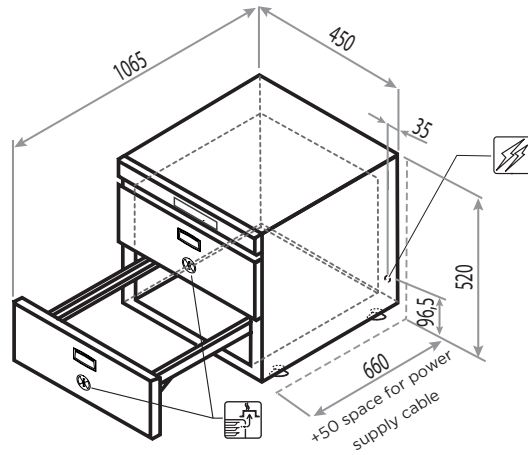
- |  |   |
|--|---|
| <input type="checkbox"/> Frame with wheels | <input type="checkbox"/> Handles to carry by hand |
| <input type="checkbox"/> Frame on feet     | <input type="checkbox"/> Black colour             |
| <input type="checkbox"/> Grids             | <input type="checkbox"/> Built-in frame           |
| <input type="checkbox"/> Trays             |   |

## TECHNICAL INSTALLATION DIAGRAM

Electricity supply  
cable inlet 

Humidity  
exhaustion vent 

**Important** - Drawing and dimensions refer to the standard version. They may change with the addition of accessories or options.



**Overall dimensions**  
(W x D x H) - mm

450 x 660 x 520h

**Power supply**

AC 220-240V 50/60Hz

**Total input**  
[kW]

1 (230V)

**Amps.**  
[A]

4,4 (230V)

**Working temperature** [°C]

30 ÷ 120

**Trays capacity**

2 GN 1/1

**Containers max height** [mm]

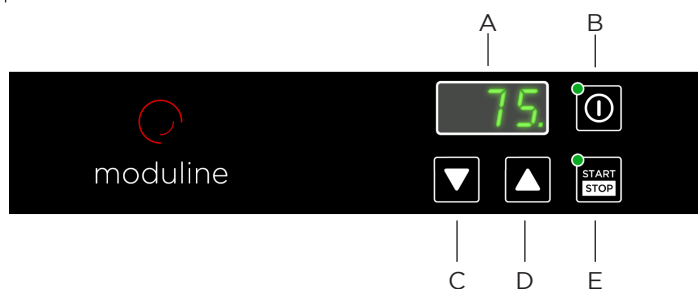
150

**Product max capacity** [Kg]

12

**Net weight** [Kg]

40



- A Display
- B ON/OFF switch
- C Temperature decrease key
- D Temperature increase key
- E START/STOP key



# HOLD HSW003E

Warm holding drawer

## CONSTRUCTION FEATURES

- Tightness chamber with radiused corners
- Total thermic insulation with rock or glass wool
- Long lasting drawers seals made up of food grade of high heat resistance
- Static heating provided by low consumption wire heating element that coils up all the chamber
- Ergonomic and fully built-in drawers handle with magnetic closure

## FUNCTIONAL FEATURES

- Electronic control of the temperature
- Operating temperature 30° ÷ 120°C
- Humidity vents
- Designed for stacking
- Chamber with safety thermostat
- Manual keyboard lock


## STANDARD SUPPLY


- Removable GN1/1 tray racks

## OPTIONS & ACCESSORIES

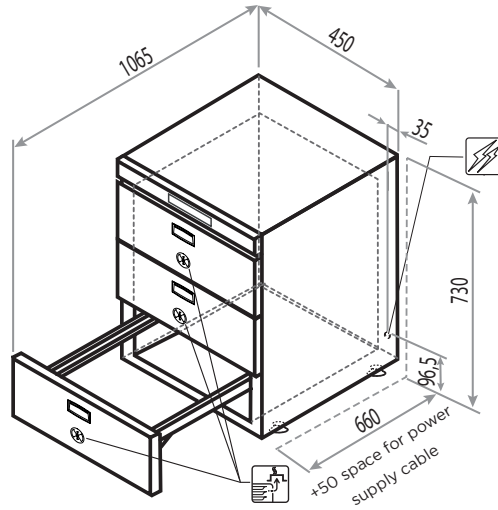
- Frame with wheels
- Frame on feet
- Grids
- Trays
- Handles to carry by hand
- Black colour
- Built-in frame

## TECHNICAL INSTALLATION DIAGRAM

Electricity supply  
cable inlet 

Humidity  
exhaustion vent 

**Important** - Drawing and dimensions refer to the standard version. They may change with the addition of accessories or options.



**Overall dimensions**  
(W x D x H) - mm

450 x 660 x 730h

**Power supply**

AC 220-240V 50/60Hz

**Total input**  
[kW]

1 (230V)

**Amps.**  
[A]

4,4 (230V)

**Working temperature** [°C]

30 ÷ 120

**Trays capacity**

3 GN 1/1

**Containers max height** [mm]

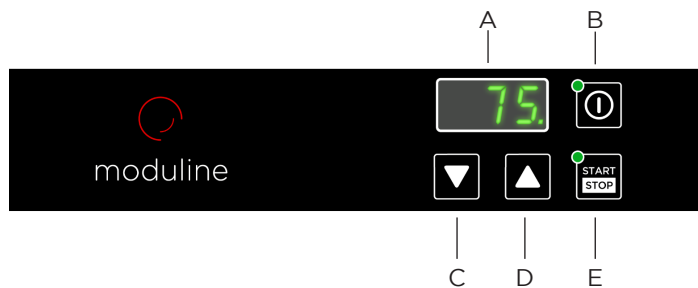
150

**Product max capacity** [Kg]

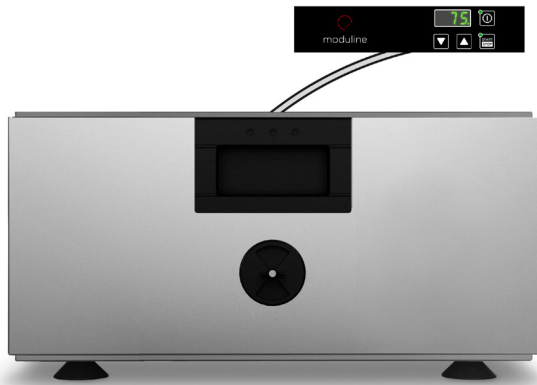
18

**Net weight** [Kg]

60



- A Display
- B ON/OFF switch
- C Temperature decrease key
- D Temperature increase key
- E START/STOP key



## HOLD HSW001ER

Warm holding drawer,  
built-in + remote  
control

### CONSTRUCTION FEATURES

- Tightness chamber with radiused corners
- Total thermic insulation with rock or glass wool
- Long lasting drawers seals made up of food grade of high heat resistance
- Static heating provided by low consumption wire heating element that coils up all the chamber
- Ergonomic and fully built-in drawers handle with magnetic closure
- Built-in version with remote controls

### FUNCTIONAL FEATURES

- Electronic control of the temperature
- Operating temperature 30° ÷ 120°C
- Humidity vents
- Chamber with safety thermostat
- Manual keyboard lock


### STANDARD SUPPLY


- Removable GN1/1 tray racks

### OPTIONS & ACCESSORIES

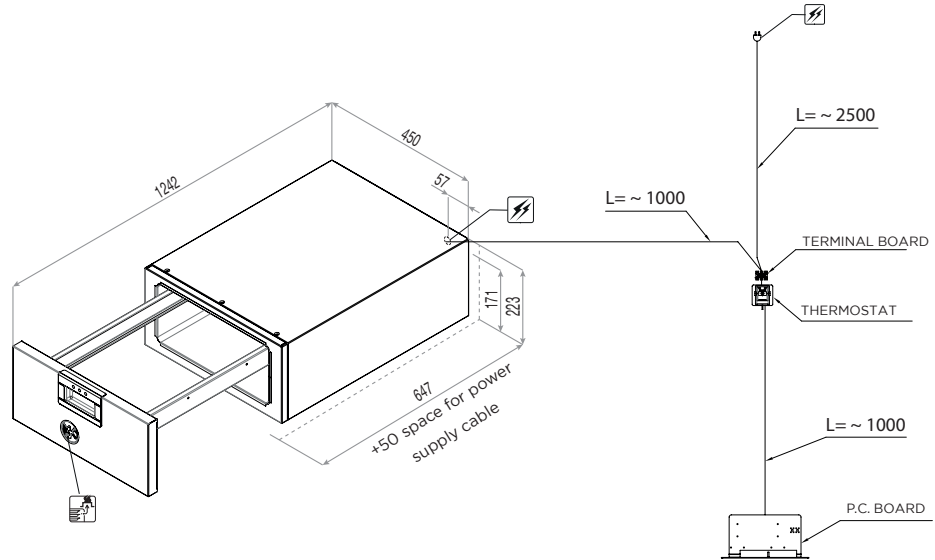
- Grids
- Trays
- Black colour
- Built-in frame

## TECHNICAL INSTALLATION DIAGRAM

Electricity supply  
cable inlet 

Humidity  
exhaustion vent 

**Important** - Drawing and dimensions refer to the standard version. They may change with the addition of accessories or options.



**Overall dimensions**  
(W x D x H) - mm

450 x 647 x 223h

**Power supply**

AC 220-240V 50/60Hz

**Total input**  
[kW]

0,7 (230V)

**Amps.**  
[A]

3,1 (230V)

**Working temperature** [°C]

30 ÷ 120

**Trays capacity**

1 GN 1/1

**Containers max height** [mm]

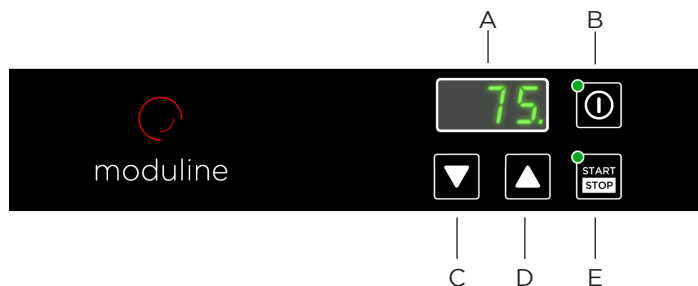
150

**Product max capacity** [Kg]

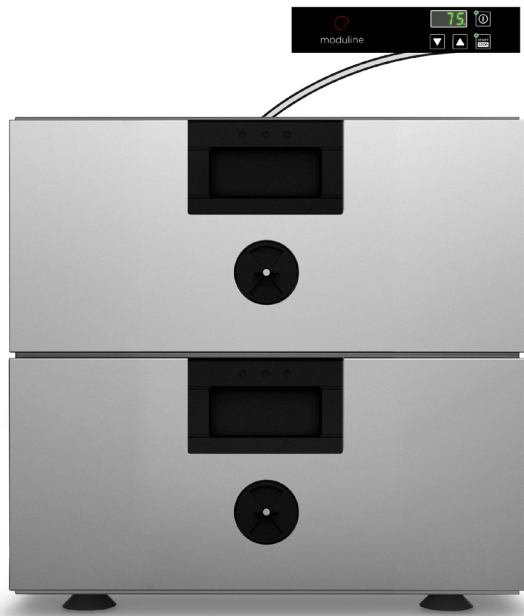
6

**Net weight** [Kg]

22



- A Display
- B ON/OFF switch
- C Temperature decrease key
- D Temperature increase key
- E START/STOP key



# HOLD HSW002ER

Warm holding  
drawers, built-in  
+ remote control

## CONSTRUCTION FEATURES

- Tightness chamber with radiused corners
- Total thermic insulation with rock or glass wool
- Long lasting drawers seals made up of food grade of high heat resistance
- Static heating provided by low consumption wire heating element that coils up all the chamber
- Ergonomic and fully built-in drawers handle with magnetic closure
- Built-in version with remote controls

## FUNCTIONAL FEATURES

- Electronic control of the temperature
- Operating temperature 30° ÷ 120°C
- Humidity vents
- Chamber with safety thermostat
- Manual keyboard lock


## STANDARD SUPPLY


- Removable GN1/1 tray racks

## OPTIONS & ACCESSORIES

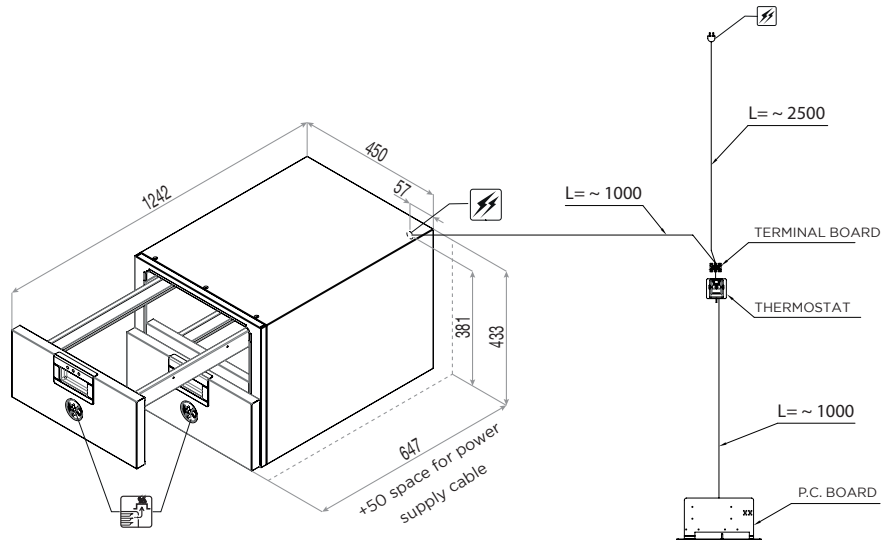
- Grids
- Trays
- Black colour
- Built-in frame

## TECHNICAL INSTALLATION DIAGRAM

Electricity supply  
cable inlet 

Humidity  
exhaustion vent 

**Important** - Drawing and dimensions refer to the standard version. They may change with the addition of accessories or options.



Overall dimensions  
(W x D x H) - mm

450 x 647 x 433h

Power supply

AC 220-240V 50/60Hz

Total input  
[kW]

1 (230V)

Amps.  
[A]

4,4 (230V)

Working  
temperature [°C]

30 ÷ 120

Trays capacity

2 GN 1/1

Containers max  
height [mm]

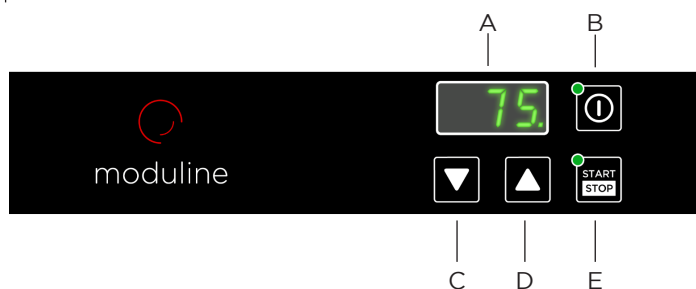
150

Product max  
capacity [Kg]

12

Net weight  
[Kg]

40



- A Display
- B ON/OFF switch
- C Temperature decrease key
- D Temperature increase key
- E START/STOP key



# HOLD HSW011E

Warm holding drawer

## CONSTRUCTION FEATURES

- Tightness chamber with radiused corners
- Total thermic insulation with rock or glass wool
- Long lasting drawers seals made up of food grade of high heat resistance
- Static heating provided by low consumption wire heating element that coils up all the chamber
- Ergonomic and fully built-in drawers handle with magnetic closure

## FUNCTIONAL FEATURES

- Electronic control of the temperature
- Operating temperature 30° ÷ 120°C
- Humidity vents
- Designed for stacking
- Chamber with safety thermostat
- Manual keyboard lock


## STANDARD SUPPLY


- Removable GN1/1 tray racks

## OPTIONS & ACCESSORIES

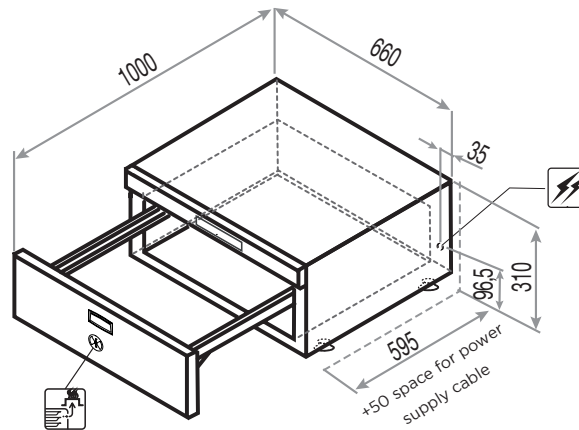
- |  |   |
|--|---|
| <input type="checkbox"/> Frame with wheels | <input type="checkbox"/> Handles to carry by hand |
| <input type="checkbox"/> Frame on feet     | <input type="checkbox"/> Black colour             |
| <input type="checkbox"/> Grids             | <input type="checkbox"/> Built-in frame           |
| <input type="checkbox"/> Trays             |   |

## TECHNICAL INSTALLATION DIAGRAM

Electricity supply  
cable inlet 

Humidity  
exhaustion vent 

**Important** - Drawing and dimensions refer to the standard version. They may change with the addition of accessories or options.



**Overall dimensions**  
(W x D x H) - mm

660 x 595 x 310h

**Power supply**

AC 220-240V 50/60Hz

**Total input**  
[kW]

0,7 (230V)

**Amps.**  
[A]

3,1 (230V)

**Working temperature** [°C]

30 ÷ 120

**Trays capacity**

1 GN 1/1

**Containers max height** [mm]

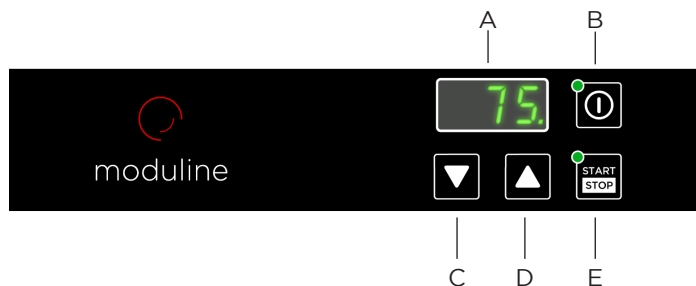
150

**Product max capacity** [Kg]

6

**Net weight** [Kg]

31



- A Display
- B ON/OFF switch
- C Temperature decrease key
- D Temperature increase key
- E START/STOP key



# HOLD HSW012E

Warm holding  
drawers

## CONSTRUCTION FEATURES

- Tightness chamber with radiused corners
- Total thermic insulation with rock or glass wool
- Long lasting drawers seals made up of food grade of high heat resistance
- Static heating provided by low consumption wire heating element that coils up all the chamber
- Ergonomic and fully built-in drawers handle with magnetic closure

## FUNCTIONAL FEATURES

- Electronic control of the temperature
- Operating temperature 30° ÷ 120°C
- Humidity vents
- Designed for stacking
- Chamber with safety thermostat
- Manual keyboard lock


## STANDARD SUPPLY


- Removable GN1/1 tray racks

## OPTIONS & ACCESSORIES

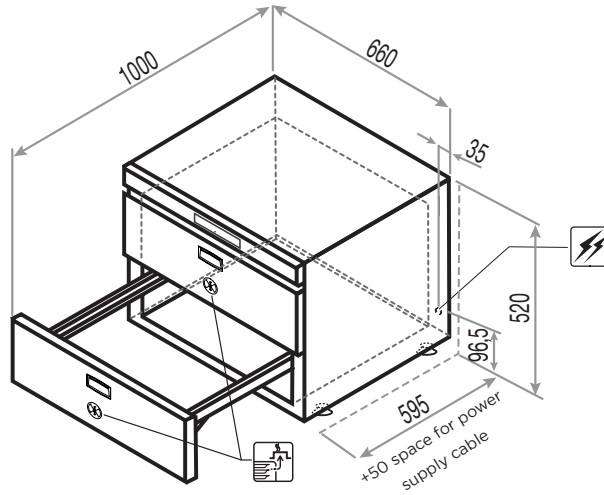
- |  |   |
|--|---|
| <input type="checkbox"/> Frame with wheels | <input type="checkbox"/> Handles to carry by hand |
| <input type="checkbox"/> Frame on feet     | <input type="checkbox"/> Black colour             |
| <input type="checkbox"/> Grids             | <input type="checkbox"/> Built-in frame           |
| <input type="checkbox"/> Trays             |   |

## TECHNICAL INSTALLATION DIAGRAM

Electricity supply  
cable inlet 

Humidity  
exhaustion vent 

**Important** - Drawing and dimensions refer to the standard version. They may change with the addition of accessories or options.



**Overall dimensions**  
(W x D x H) - mm

660 x 595 x 520h

**Power supply**

AC 220-240V 50/60Hz

**Total input**  
[kW]

1 (230V)

**Amps.**  
[A]

4,4 (230V)

**Working temperature** [°C]

30 ÷ 120

**Trays capacity**

2 GN 1/1

**Containers max height** [mm]

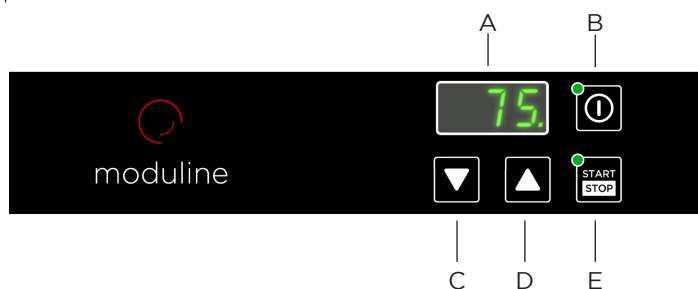
150

**Product max capacity** [Kg]

12

**Net weight** [Kg]

48



A Display

B ON/OFF switch

C Temperature decrease key

D Temperature increase key

E START/STOP key



# HOLD HSW013E

Warm holding  
drawers

## CONSTRUCTION FEATURES

- Tightness chamber with radiused corners
- Total thermic insulation with rock or glass wool
- Long lasting drawers seals made up of food grade of high heat resistance
- Static heating provided by low consumption wire heating element that coils up all the chamber
- Ergonomic and fully built-in drawers handle with magnetic closure

## FUNCTIONAL FEATURES

- Electronic control of the temperature
- Operating temperature 30° ÷ 120°C
- Humidity vents
- Designed for stacking
- Chamber with safety thermostat
- Manual keyboard lock


## STANDARD SUPPLY


- Removable GN1/1 tray racks

## OPTIONS & ACCESSORIES

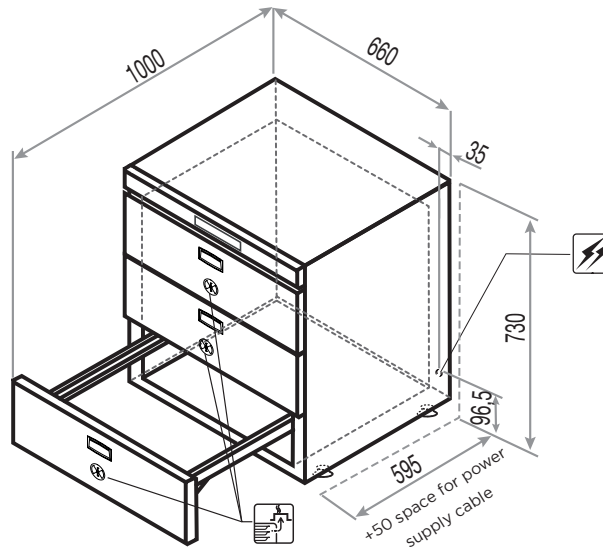
- |  |   |
|--|---|
| <input type="checkbox"/> Frame with wheels | <input type="checkbox"/> Handles to carry by hand |
| <input type="checkbox"/> Frame on feet     | <input type="checkbox"/> Black colour             |
| <input type="checkbox"/> Grids             | <input type="checkbox"/> Built-in frame           |
| <input type="checkbox"/> Trays             |   |

## TECHNICAL INSTALLATION DIAGRAM

Electricity supply  
cable inlet 

Humidity  
exhaustion vent 

**Important** - Drawing and dimensions refer to the standard version. They may change with the addition of accessories or options.



**Overall dimensions**  
(W x D x H) - mm

660 x 595 x 730h

**Trays capacity**

3 GN 1/1

**Power supply**

AC 220-240V 50/60Hz

**Containers max  
height [mm]**

150

**Total input  
[kW]**

1 (230V)

**Product max  
capacity [Kg]**

18

**Amps.  
[A]**

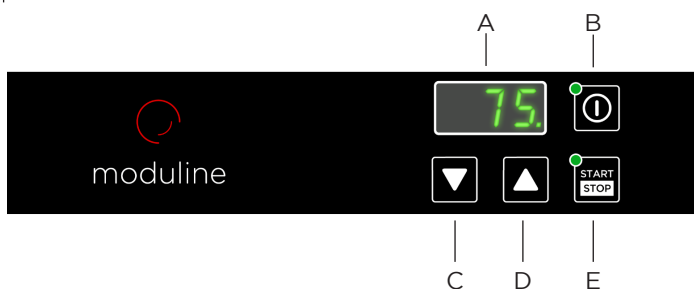
4,4 (230V)

**Net weight  
[Kg]**

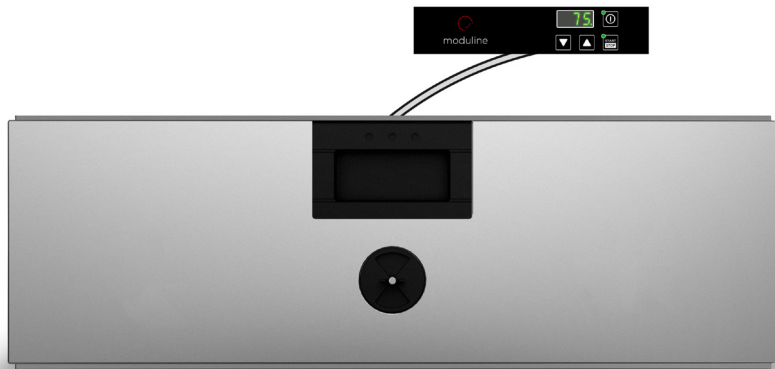
67

**Working  
temperature [°C]**

30 ÷ 120



- A Display
- B ON/OFF switch
- C Temperature decrease key
- D Temperature increase key
- E START/STOP key



## HOLD HSW011ER

Warm holding drawer,  
built-in + remote control

### CONSTRUCTION FEATURES

- Tightness chamber with radiused corners
- Total thermic insulation with rock or glass wool
- Long lasting drawers seals made up of food grade of high heat resistance
- Static heating provided by low consumption wire heating element that coils up all the chamber
- Ergonomic and fully built-in drawers handle with magnetic closure
- Built-in version with remote controls

### FUNCTIONAL FEATURES

- Electronic control of the temperature
- Operating temperature 30° ÷ 120°C
- Humidity vents
- Chamber with safety thermostat
- Manual keyboard lock


### STANDARD SUPPLY


- Removable GN1/1 tray racks

### OPTIONS & ACCESSORIES

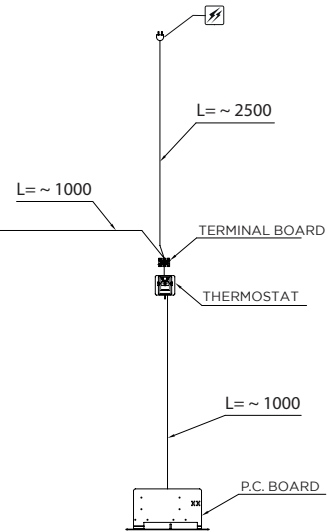
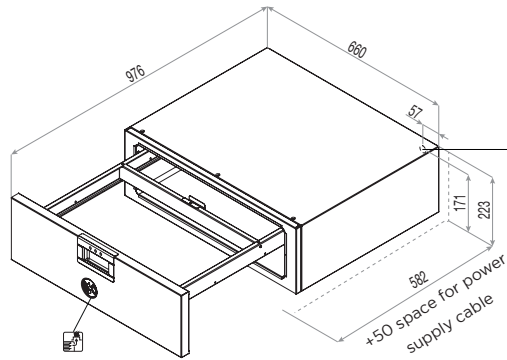
- Grids
- Trays
- Black colour
- Built-in frame

## TECHNICAL INSTALLATION DIAGRAM

Electricity supply  
cable inlet 

Humidity  
exhaustion vent 

**Important** - Drawing and dimensions refer to the standard version. They may change with the addition of accessories or options.



**Overall dimensions**  
(W x D x H) - mm

660 x 582 x 223h

**Power supply**

AC 220-240V 50/60Hz

**Total input**  
[kW]

0,7 (230V)

**Amps.**  
[A]

3,1 (230V)

**Working temperature** [°C]

30 ÷ 120

**Trays capacity**

1 GN 1/1

**Containers max height** [mm]

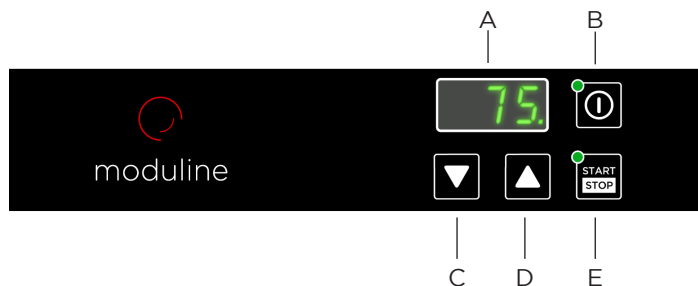
150

**Product max capacity** [Kg]

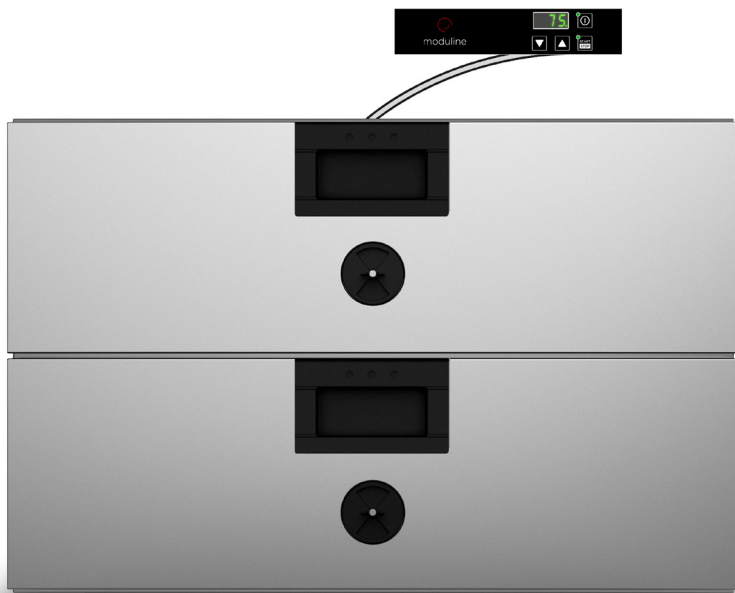
6

**Net weight** [Kg]

31



- A Display
- B ON/OFF switch
- C Temperature decrease key
- D Temperature increase key
- E START/STOP key



# HOLD HSW012ER

Warm holding  
drawers, built-in  
+ remote control

## CONSTRUCTION FEATURES

- Tightness chamber with radiused corners
- Total thermic insulation with rock or glass wool
- Long lasting drawers seals made up of food grade of high heat resistance
- Static heating provided by low consumption wire heating element that coils up all the chamber
- Ergonomic and fully built-in drawers handle with magnetic closure
- Built-in version with remote controls

## FUNCTIONAL FEATURES

- Electronic control of the temperature
- Operating temperature 30° ÷ 120°C
- Humidity vents
- Chamber with safety thermostat
- Manual keyboard lock


## STANDARD SUPPLY


- Removable GN1/1 tray racks

## OPTIONS & ACCESSORIES

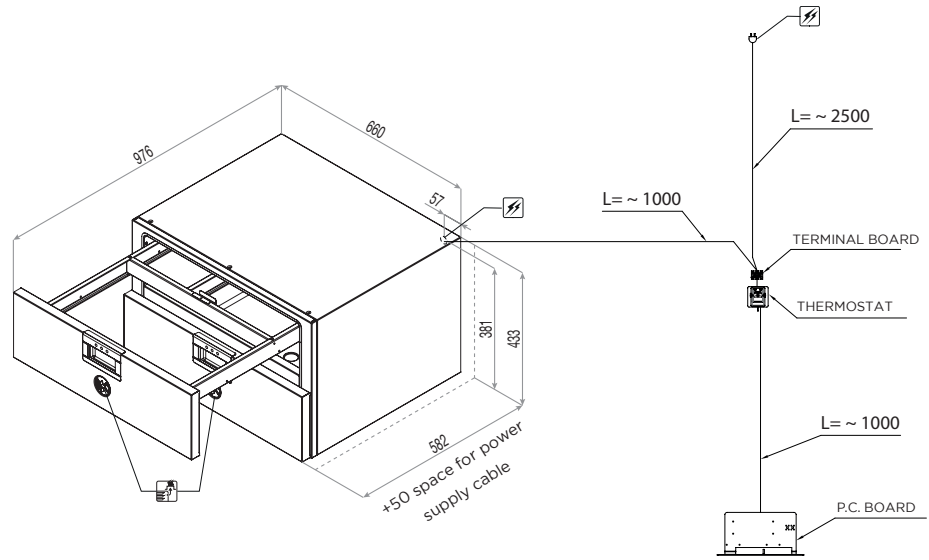
- Grids
- Trays
- Black colour
- Built-in frame

## TECHNICAL INSTALLATION DIAGRAM

Electricity supply  
cable inlet 

Humidity  
exhaustion vent 

**Important** - Drawing and dimensions refer to the standard version. They may change with the addition of accessories or options.



Overall dimensions  
(W x D x H) - mm

660 x 582 x 433h

Trays capacity

2 GN 1/1

Power supply

AC 220-240V 50/60Hz

Containers max  
height [mm]

150

Total input  
[kW]

1 (230V)

Product max  
capacity [Kg]

12

Amps.  
[A]

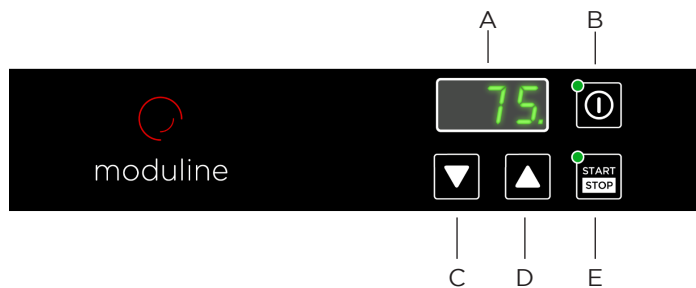
4,4 (230V)

Net weight  
[Kg]

48

Working  
temperature [°C]

30 ÷ 120



- A Display
- B ON/OFF switch
- C Temperature decrease key
- D Temperature increase key
- E START/STOP key



## HOLD HSW212E

Warm holding drawers  
with separate controls

### CONSTRUCTION FEATURES

- Tightness chamber with radiused corners
- Total thermic insulation with rock or glass wool
- Long lasting drawers seals made up of food grade of high heat resistance
- Static heating provided by low consumption wire heating element that coils up all the chamber
- Ergonomic and fully built-in drawers handle with magnetic closure

### FUNCTIONAL FEATURES

- Two electronic control of the temperature
- Operating temperature 30° ÷ 120°C
- Humidity vents
- Chamber with safety thermostat
- Manual keyboard lock


### STANDARD SUPPLY


- Removable GN1/1 tray racks
- On feet

### OPTIONS & ACCESSORIES

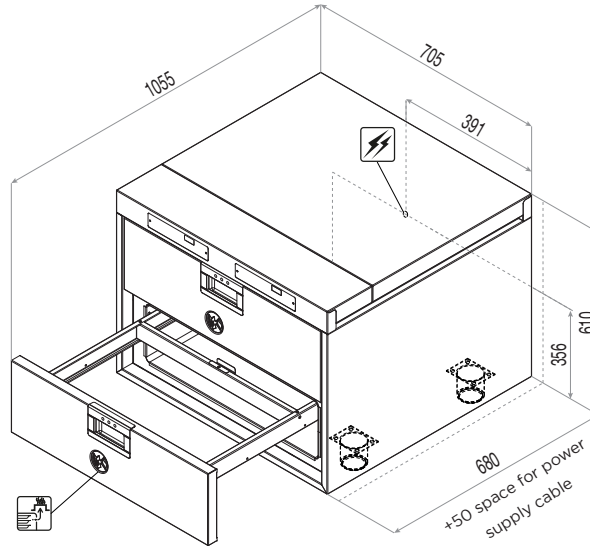
- Set wheels
- Grids
- Trays
- Black colour
- Built-in frame

## TECHNICAL INSTALLATION DIAGRAM

Electricity supply  
cable inlet 

Humidity  
exhaustion vent 

**Important** - Drawing and dimensions refer to the standard version. They may change with the addition of accessories or options.



Overall dimensions  
(W x D x H) - mm

705 x 680 x 610h

Trays capacity

2 GN 1/1

Power supply

AC 220-240V 50/60Hz

Containers max  
height [mm]

150

Total input  
[kW]

1,4 (230V)

Product max  
capacity [Kg]

12

Amps.  
[A]

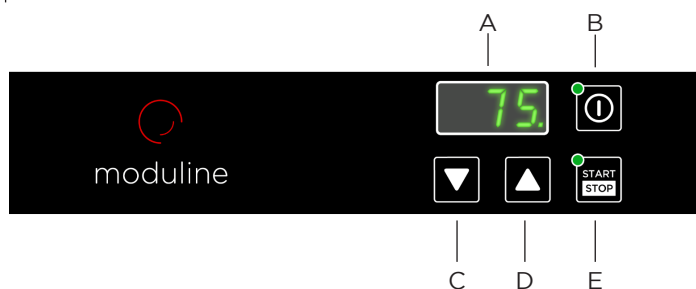
6,1 (230V)

Net weight  
[Kg]

67

Working  
temperature [°C]

30 ÷ 120



A Display

B ON/OFF switch

C Temperature decrease key

D Temperature increase key

E START/STOP key



# HOLD HSW313E

Warm holding drawers  
with separate controls

## CONSTRUCTION FEATURES

- Tightness chamber with radiused corners
- Total thermic insulation with rock or glass wool
- Long lasting drawers seals made up of food grade of high heat resistance
- Static heating provided by low consumption wire heating element that coils up all the chamber
- Ergonomic and fully built-in drawers handle with magnetic closure

## FUNCTIONAL FEATURES

- Three electronic control of the temperature
- Operating temperature 30° ÷ 120°C
- Humidity vents
- Chamber with safety thermostat
- Manual keyboard lock


## STANDARD SUPPLY


- Removable GN1/1 tray racks
- On feet

## OPTIONS & ACCESSORIES

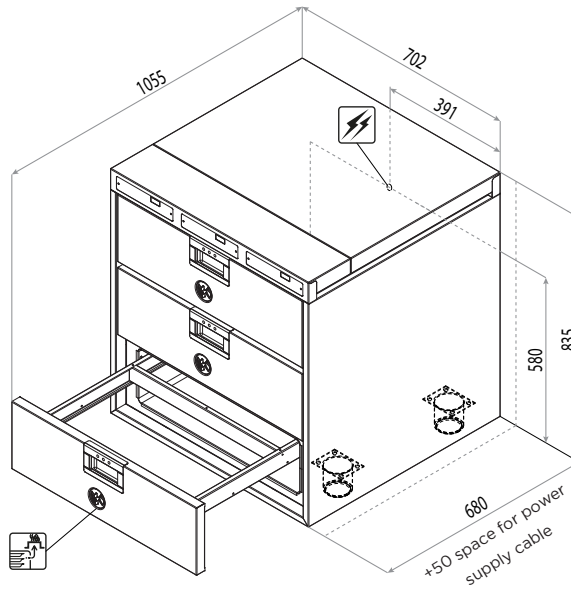
- Set wheels
- Grids
- Trays
- Black colour
- Built-in frame

## TECHNICAL INSTALLATION DIAGRAM

Electricity supply  
cable inlet 

Humidity  
exhaustion vent 

**Important** - Drawing and dimensions refer to the standard version. They may change with the addition of accessories or options.



Overall dimensions  
(W x D x H) - mm

705 x 680 x 835h

Trays capacity

3 GN 1/1

Power supply

AC 220-240V 50/60Hz

Containers max  
height [mm]

150

Total input  
[kW]

2,1 (230V)

Product max  
capacity [Kg]

18

Amps.  
[A]

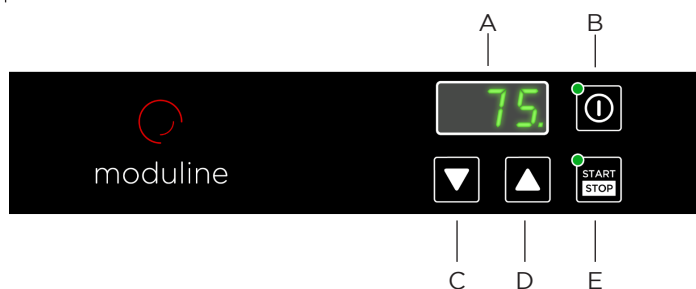
9,2 (230V)

Net weight  
[Kg]

100

Working  
temperature [°C]

30 ÷ 120



- A Display
- B ON/OFF switch
- C Temperature decrease key
- D Temperature increase key
- E START/STOP key

## По вопросам продаж и поддержки обращайтесь:

Алматы (727)345-47-04  
Ангарск (3955)60-70-56  
Архангельск (8182)63-90-72  
Астрахань (8512)99-46-04  
Барнаул (3852)73-04-60  
Белгород (4722)40-23-64  
Благовещенск (4162)22-76-07  
Брянск (4832)59-03-52  
Владивосток (423)249-28-31  
Владикавказ (8672)28-90-48  
Владимир (4922)49-43-18  
Волгоград (844)278-03-48  
Вологда (8172)26-41-59  
Воронеж (473)204-51-73  
Екатеринбург (343)384-55-89

Иваново (4932)77-34-06  
Ижевск (3412)26-03-58  
Иркутск (395)279-98-46  
Казань (843)206-01-48  
Калининград (4012)72-03-81  
Калуга (4842)92-23-67  
Кемерово (3842)65-04-62  
Киров (8332)68-02-04  
Коломна (4966)23-41-49  
Кострома (4942)77-07-48  
Краснодар (861)203-40-90  
Красноярск (391)204-63-61  
Курск (4712)77-13-04  
Курган (3522)50-90-47  
Липецк (4742)52-20-81

Магнитогорск (3519)55-03-13  
Москва (495)268-04-70  
Мурманск (8152)59-64-93  
Набережные Челны (8552)20-53-41  
Нижний Новгород (831)429-08-12  
Новокузнецк (3843)20-46-81  
Ноябрьск (3496)41-32-12  
Новосибирск (383)227-86-73  
Омск (3812)21-46-40  
Орел (4862)44-53-42  
Оренбург (3532)37-68-04  
Пенза (8412)22-31-16  
Петрозаводск (8142)55-98-37  
Псков (8112)59-10-37  
Пермь (342)205-81-47

Ростов-на-Дону (863)308-18-15  
Рязань (4912)46-61-64  
Самара (846)206-03-16  
Санкт-Петербург (812)309-46-40  
Саратов (845)249-38-78  
Севастополь (8692)22-31-93  
Саранск (8342)22-96-24  
Симферополь (3652)67-13-56  
Смоленск (4812)29-41-54  
Сочи (862)225-72-31  
Ставрополь (8652)20-65-13  
Сургут (3462)77-98-35  
Сыктывкар (8212)25-95-17  
Тамбов (4752)50-40-97  
Тверь (4822)63-31-35

Тольятти (8482)63-91-07  
Томск (3822)98-41-53  
Тула (4872)33-79-87  
Тюмень (3452)66-21-18  
Ульяновск (8422)24-23-59  
Улан-Удэ (3012)59-97-51  
Уфа (347)229-48-12  
Хабаровск (4212)92-98-04  
Чебоксары (8352)28-53-07  
Челябинск (351)202-03-61  
Череповец (8202)49-02-64  
Чита (3022)38-34-83  
Якутск (4112)23-90-97  
Ярославль (4852)69-52-93

**Россия** +7(495)268-04-70

**Казахстан** +7(727)345-47-04

**Беларусь** +(375)257-127-884

**Узбекистан** +998(71)205-18-59

**Киргизия** +996(312)96-26-47

эл.почта: [meo@nt-rt.ru](mailto:meo@nt-rt.ru) || сайт: <https://module.nt-rt.ru/>