

# Оборудование для горячего хранения ННТ

## Технические характеристики

По вопросам продаж и поддержки обращайтесь:

Алматы (727)345-47-04  
Ангарск (3955)60-70-56  
Архангельск (8182)63-90-72  
Астрахань (8512)99-46-04  
Барнаул (3852)73-04-60  
Белгород (4722)40-23-64  
Благовещенск (4162)22-76-07  
Брянск (4832)59-03-52  
Владивосток (423)249-28-31  
Владикавказ (8672)28-90-48  
Владимир (4922)49-43-18  
Волгоград (844)278-03-48  
Вологда (8172)26-41-59  
Воронеж (473)204-51-73  
Екатеринбург (343)384-55-89

Иваново (4932)77-34-06  
Ижевск (3412)26-03-58  
Иркутск (395)279-98-46  
Казань (843)206-01-48  
Калининград (4012)72-03-81  
Калуга (4842)92-23-67  
Кемерово (3842)65-04-62  
Киров (8332)68-02-04  
Коломна (4966)23-41-49  
Кострома (4942)77-07-48  
Краснодар (861)203-40-90  
Красноярск (391)204-63-61  
Курск (4712)77-13-04  
Курган (3522)50-90-47  
Липецк (4742)52-20-81

Магнитогорск (3519)55-03-13  
Москва (495)268-04-70  
Мурманск (8152)59-64-93  
Набережные Челны (8552)20-53-41  
Нижний Новгород (831)429-08-12  
Новокузнецк (3843)20-46-81  
Ноябрьск (3496)41-32-12  
Новосибирск (383)227-86-73  
Омск (3812)21-46-40  
Орел (4862)44-53-42  
Оренбург (3532)37-68-04  
Пенза (8412)22-31-16  
Петрозаводск (8142)55-98-37  
Псков (8112)59-10-37  
Пермь (342)205-81-47

Ростов-на-Дону (863)308-18-15  
Рязань (4912)46-61-64  
Самара (846)206-03-16  
Санкт-Петербург (812)309-46-40  
Саратов (845)249-38-78  
Севастополь (8692)22-31-93  
Саранск (8342)22-96-24  
Симферополь (3652)67-13-56  
Смоленск (4812)29-41-54  
Сочи (862)225-72-31  
Ставрополь (8652)20-65-13  
Сургут (3462)77-98-35  
Сыктывкар (8212)25-95-17  
Тамбов (4752)50-40-97  
Тверь (4822)63-31-35

Тольятти (8482)63-91-07  
Томск (3822)98-41-53  
Тула (4872)33-79-87  
Тюмень (3452)66-21-18  
Ульяновск (8422)24-23-59  
Улан-Удэ (3012)59-97-51  
Уфа (347)229-48-12  
Хабаровск (4212)92-98-04  
Чебоксары (8352)28-53-07  
Челябинск (351)202-03-61  
Череповец (8202)49-02-64  
Чита (3022)38-34-83  
Якутск (4112)23-90-97  
Ярославль (4852)69-52-93

Россия +7(495)268-04-70

Казахстан +7(727)345-47-04

Беларусь +(375)257-127-884

Узбекистан +998(71)205-18-59

Киргизия +996(312)96-26-47

эл.почта: [meo@nt-rt.ru](mailto:meo@nt-rt.ru) || сайт: <https://module.nt-rt.ru/>



# HOLD HHT081E

Warm holding cabinet

## CONSTRUCTION FEATURES

- Tightness chamber with radiuses corners
- All-around rubber bumpers
- Total thermic insulation with rock or glass wood
- Long lasting front seal, made up of food-grade and high-heat resistant silicone
- Removable side racks to facilitate cleaning
- Static heating provided by low consumption wire heating element that coils up all the chamber
- Ergonomic and fully built-in door handle with magnetic closure
- Mounted on four 125 mm diameter castors, two of which with brake
- Ergonomic handle for pushing and guiding
- Easy access to facilitate maintenance and repair
- Opposite side opening

## FUNCTIONAL FEATURES

- Electronic control of the temperature
- Operating temperature 30°-120°C
- Adjustable humidity vents on the door
- Chamber with safety thermostat
- Manual keyboard lock


## STANDARD SUPPLY


- Removable GN 1/1 tray racks

## OPTIONS & ACCESSORIES

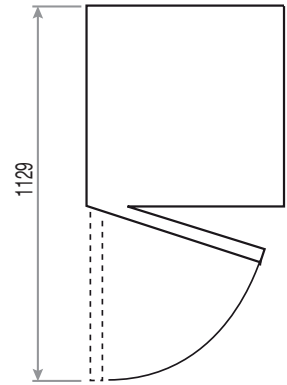
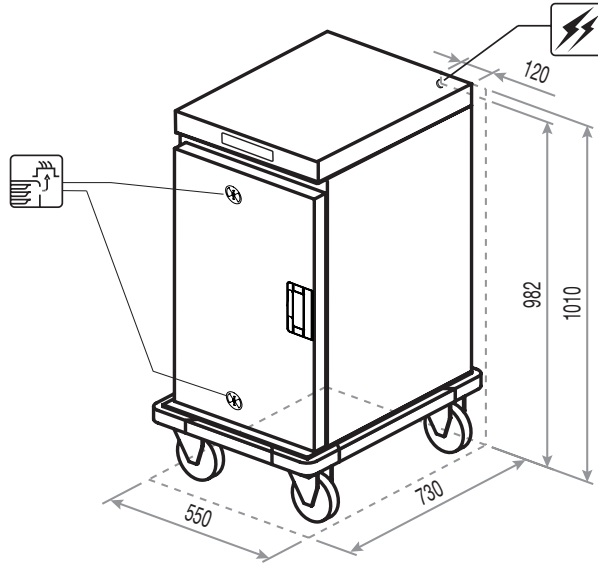
- Kit feet
- Grids
- Trays

## TECHNICAL INSTALLATION DIAGRAM

Electricity supply  
cable inlet 

Vent for excess  
humidity 

**Important** - Drawing and  
dimensions refer to the  
standard version.  
They may change with the  
addition of accessories  
or options.



**Overall dimensions**  
(W x D x H) - mm

550 x 730 x 1010h

**Amps.**  
[A]

4,4 (230V)

**Trays capacity -  
distance [mm]**

8 x GN 1/1 - (75)

**Working  
temperature [°C]**

30 ÷ 120

**Tray max. height  
[mm]**

8 x 65 (h)  
3 x 150 (h)  
2 x 200 (h) + 2 x 65 (h)

**Product max  
capacity [Kg]**

29

**Power supply**

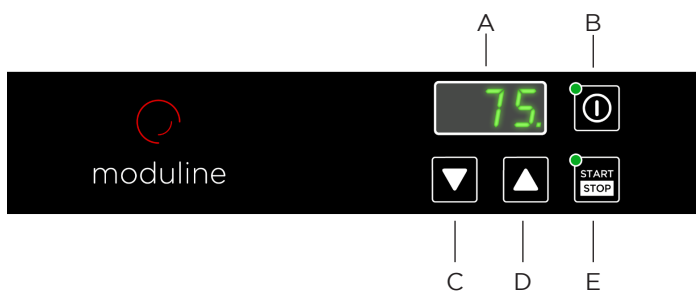
AC 220-240V 50/60Hz

**Net weight  
[Kg]**

46

**Total input  
[kW]**

1 (230V)



- A Display
- B ON/OFF switch
- C Temperature decrease key
- D Temperature increase key
- E START/STOP key



# HOLD HHT161E

Warm holding cabinet

## CONSTRUCTION FEATURES

- Tightness chamber with radiuses corners
- All-around rubber bumpers
- Total thermic insulation with rock or glass wood
- Long lasting front seal, made up of food-grade and high-heat resistant silicone
- Removable side racks to facilitate cleaning
- Static heating provided by low consumption wire heating element that coils up all the chamber
- Ergonomic and fully built-in door handle with magnetic closure
- Mounted on four 150 mm diameter castors, two of which with brake
- Ergonomic handle for pushing and guiding
- Easy access to facilitate maintenance and repair
- Opposite side opening

## FUNCTIONAL FEATURES

- Electronic control of the temperature
- Operating temperature 30° ÷ 120°C
- Adjustable humidity vents on the door
- Chamber with safety thermostat
- Manual keyboard lock


## STANDARD SUPPLY


- Removable GN 1/1 tray racks

## OPTIONS & ACCESSORIES

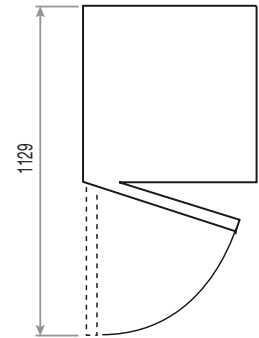
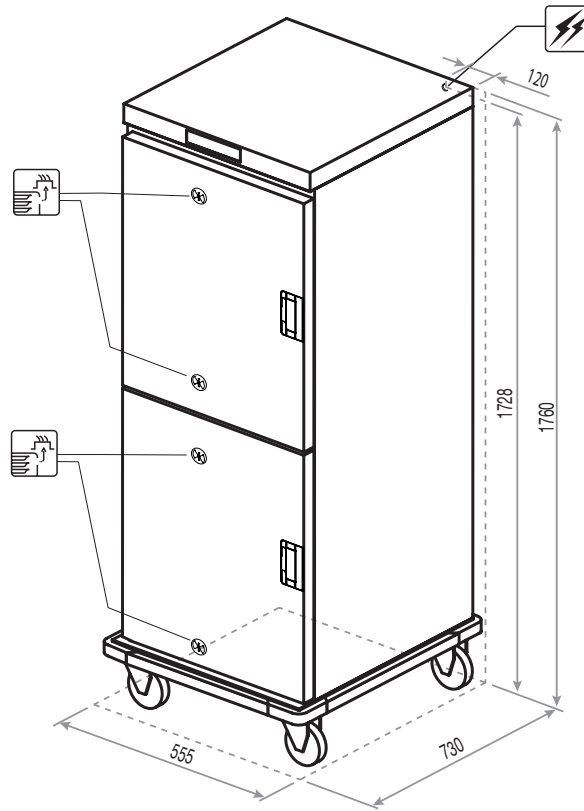
- Kit feet
- Grids
- Trays

## TECHNICAL INSTALLATION DIAGRAM

Electricity supply  
cable inlet 

Vent for excess  
humidity 

**Important** - Drawing and  
dimensions refer to the  
standard version.  
They may change with the  
addition of accessories  
or options.



Overall dimensions  
(W x D x H) - mm

555 x 730 x 1760h

Amps.  
[A]

8,7 (230V)

Trays capacity -  
distance [mm]

16 x GN 1/1 - (75)

Working  
temperature [°C]

30 ÷ 120

Tray max. height  
[mm]

16 x 65 (h)  
6 x 150 (h)  
4 x 200 (h) + 4 x 65 (h)

Product max  
capacity [Kg]

58

Power supply

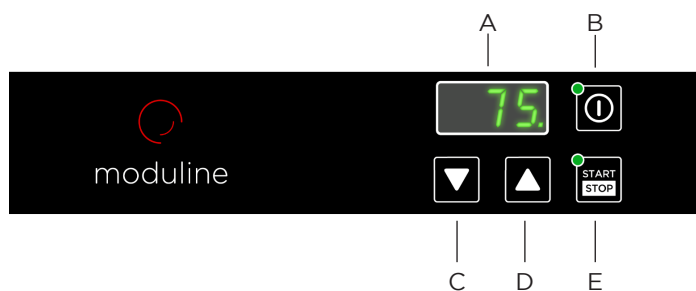
AC 220-240V 50/60Hz

Net weight  
[Kg]

88

Total input  
[kW]

2 (230V)



- A Display
- B ON/OFF switch
- C Temperature decrease key
- D Temperature increase key
- E START/STOP key



# HOLD HHT161EP

Warm holding cabinet

## CONSTRUCTION FEATURES

- Tightness chamber with radiuses corners
- All-around rubber bumpers
- Total thermic insulation with rock or glass wool
- Long lasting front seal, made up of food-grade and high-heat resistant silicone
- Removable side racks to facilitate cleaning
- Static heating provided by low consumption wire heating element that coils up all the chamber
- Ergonomic and fully built-in door handle with magnetic closure
- Mounted on four 150 mm diameter castors, two of which with brake
- Ergonomic handle for pushing and guiding
- Easy access to facilitate maintenance and repair
- Pass-through cavity, front and rear door
- Opposite side opening

## FUNCTIONAL FEATURES

- Electronic control of the temperature
- Operating temperature 30° ÷ 120°C
- Adjustable humidity vents on the door
- Chamber with safety thermostat
- Manual keyboard lock


## STANDARD SUPPLY


- Removable GN 1/1 tray racks

## OPTIONS & ACCESSORIES

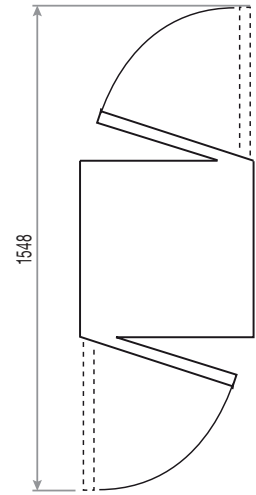
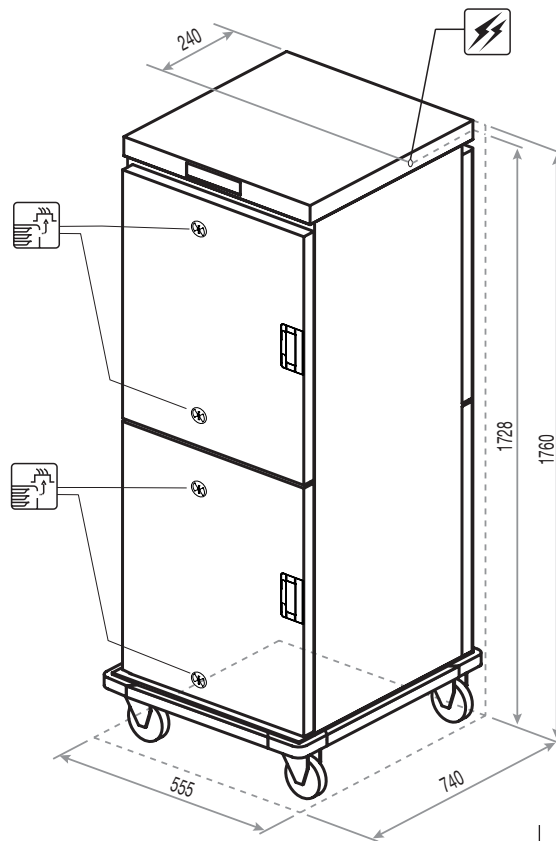
- Kit feet
- Grids
- Trays

## TECHNICAL INSTALLATION DIAGRAM

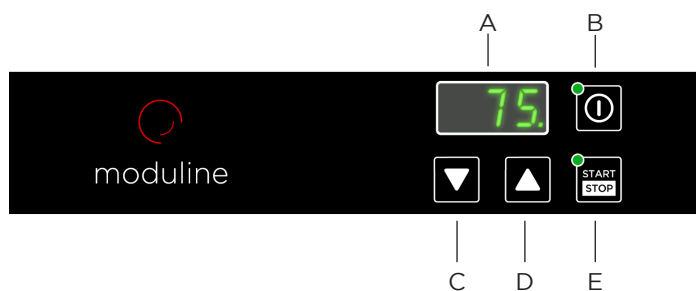
Electricity supply  
cable inlet 

Vent for excess  
humidity 

**Important** - Drawing and  
dimensions refer to the  
standard version.  
They may change with the  
addition of accessories  
or options.



Overall dimensions (W x D x H) - mm	555 x 740 x 1760 h	Amps. [A]	8,7 (230V)
Trays capacity - distance [mm]	16 x GN 1/1 - (75)	Working temperature [°C]	30 ÷ 120
Tray max. height [mm]	16 x 65 (h) 6 x 150 (h) 4 x 200 (h) + 4 x 65 (h)	Product max capacity [Kg]	58
Power supply	AC 220-240V 50/60Hz	Net weight [Kg]	88
Total input [kW]	2 (230V)		



- A Display
- B ON/OFF switch
- C Temperature decrease key
- D Temperature increase key
- E START/STOP key



# HOLD HHT281E

Warm holding cabinet

## CONSTRUCTION FEATURES

- Two separately controlled compartments
- All-around rubber bumpers
- Total thermic insulation with rock or glass wool
- Long lasting front seal, made up of food-grade and high-heat resistant silicone
- Removable side racks to facilitate cleaning
- Static heating provided by low consumption wire heating element that coils up all the chamber
- Ergonomic and fully built-in door handles with magnetic closure
- Mounted on four 150 mm diameter castors, two of which with brake
- Ergonomic handle for pushing and guiding
- Easy access to facilitate maintenance and repair
- Opposite side opening

## FUNCTIONAL FEATURES

- Two separate electronic controls
- Operating temperature 30° ÷ 120°C
- Adjustable humidity vents on the doors
- Chamber with safety thermostat
- Manual keyboard lock


## STANDARD SUPPLY


- Removable GN 1/1 tray racks

## OPTIONS & ACCESSORIES

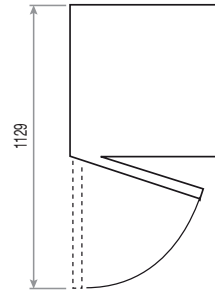
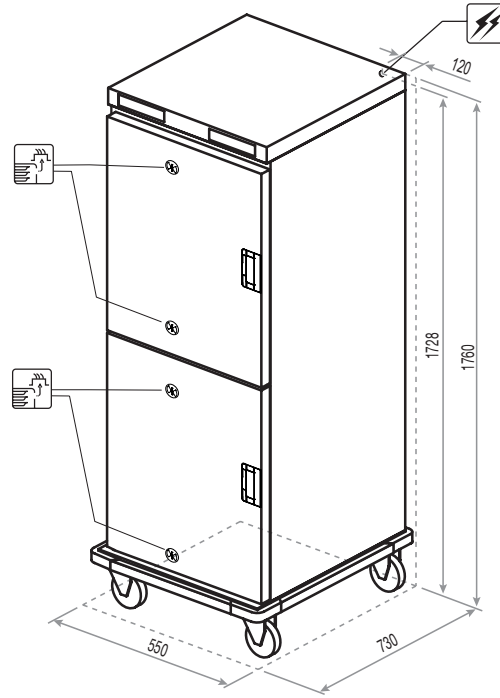
- Kit feet
- Grids
- Trays

## TECHNICAL INSTALLATION DIAGRAM

Electricity supply  
cable inlet 

Vent for excess  
humidity 

**Important** - Drawing and  
dimensions refer to the  
standard version.  
They may change with the  
addition of accessories  
or options.



**Overall dimensions**  
(W x D x H) - mm

550 x 730 x 1760h

**Trays capacity -  
distance [mm]**

(8+8) x GN 1/1 - (75)

**Tray max. height  
[mm]**

8 x 65 (h) + 8 x 65 (h)  
3 x 150 (h) + 3 x 150 (h)  
2 x 200 (h) + 2 x 65 (h) and 2 x 200 (h) + 2 x 65 (h)

**Power supply**

AC 220-240V 50/60Hz

**Total input  
[kW]**

2 (230V)

**Amps.  
[A]**

8,7 (230V)

**Working  
temperature [°C]**

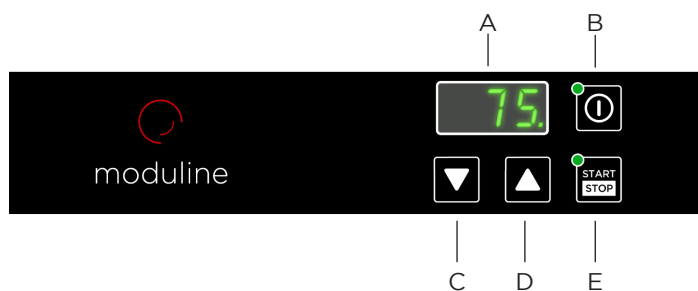
30 ÷ 120

**Product max  
capacity [Kg]**

58

**Net weight  
[Kg]**

94



- A Display
- B ON/OFF switch
- C Temperature decrease key
- D Temperature increase key
- E START/STOP key



# HOLD HHT052E

Warm holding cabinet

## CONSTRUCTION FEATURES

- Tightness chamber with radiuses corners
- All-around rubber bumpers
- Total thermic insulation with rock or glass wood
- Long lasting front seal, made up of food-grade and high-heat resistant silicone
- Removable side racks to facilitate cleaning
- Static heating provided by low consumption wire heating element that coils up all the chamber
- Ergonomic and fully built-in door handle with magnetic closure
- Mounted on four 125 mm diameter castors, two of which with brake
- Ergonomic handle for pushing and guiding
- Easy access to facilitate maintenance and repair
- Opposite side opening

## FUNCTIONAL FEATURES

- Electronic control of the temperature
- Operating temperature 30° ÷ 120°C
- Adjustable humidity vents on the door
- Chamber with safety thermostat
- Manual keyboard lock


## STANDARD SUPPLY


- Removable GN 2/1 and GN 1/1 tray racks

## OPTIONS & ACCESSORIES

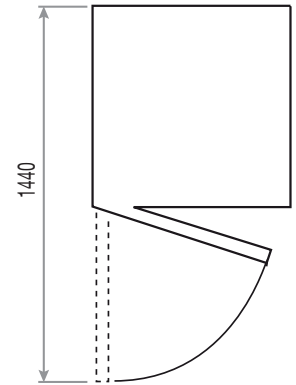
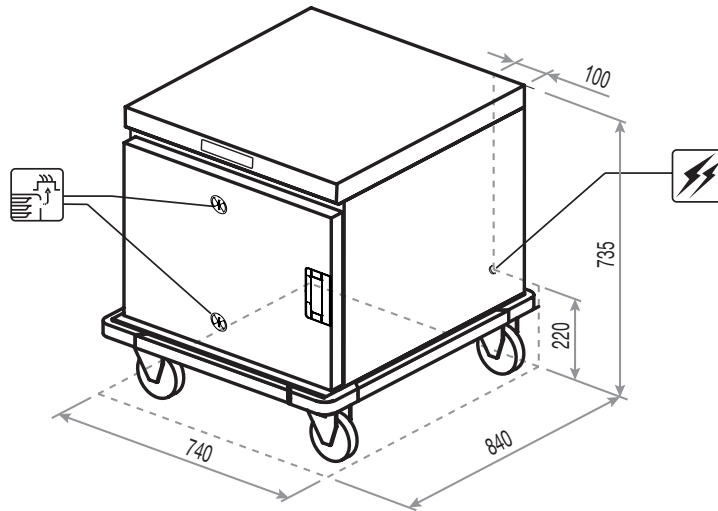
- Kit feet
- Grids
- Trays

## TECHNICAL INSTALLATION DIAGRAM

Electricity supply  
cable inlet 

Vent for excess  
humidity 

**Important** - Drawing and  
dimensions refer to the  
standard version.  
They may change with the  
addition of accessories  
or options.



**Overall dimensions**  
(W x D x H) - mm

740 x 840 x 735h

**Trays capacity -  
distance [mm]**

5 x GN 2/1 - (75)  
10 x GN 1/1 - (75)

**Tray max. height  
GN 2/1 [mm]**

5 x 65 (h)  
2 x 150 (h)  
1 x 200 (h) + 2 x 65 (h)

**Tray max. height  
GN 1/1 [mm]**

10 x 65 (h)  
4 x 150 (h)  
2 x 200 (h) + 4 x 65 (h)

**Power supply**

AC 220-240V 50/60Hz

**Total input**  
[kW]

1,5 (230V)

**Amps.**  
[A]

6,6 (230V)

**Working  
temperature [°C]**

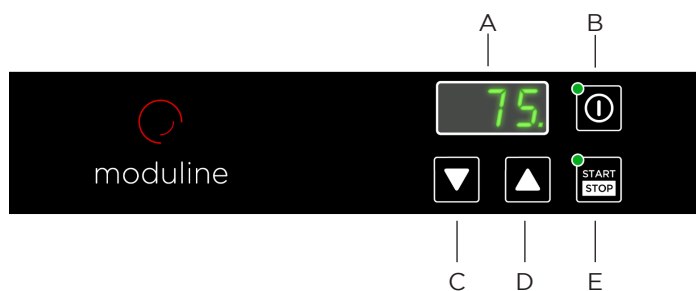
30 ÷ 120

**Product max  
capacity [Kg]**

36

**Net weight**  
[Kg]

51



- A Display
- B ON/OFF switch
- C Temperature decrease key
- D Temperature increase key
- E START/STOP key



# HOLD HHT082E

Warm holding cabinet

## CONSTRUCTION FEATURES

- Tightness chamber with radiuses corners
- All-around rubber bumpers
- Total thermic insulation with rock or glass wool
- Long lasting front seal, made up of food-grade and high-heat resistant silicone
- Removable side racks to facilitate cleaning
- Static heating provided by low consumption wire heating element that coils up all the chamber
- Ergonomic and fully built-in door handle with magnetic closure
- Mounted on four 125 mm diameter castors, two of which with brake
- Ergonomic handle for pushing and guiding
- Easy access to facilitate maintenance and repair
- Opposite side opening

## FUNCTIONAL FEATURES

- Electronic control of the temperature
- Operating temperature 30° ÷ 120°C
- Adjustable humidity vents on the door
- Chamber with safety thermostat
- Manual keyboard lock


## STANDARD SUPPLY


- Removable GN 2/1 and GN 1/1 tray racks

## OPTIONS & ACCESSORIES

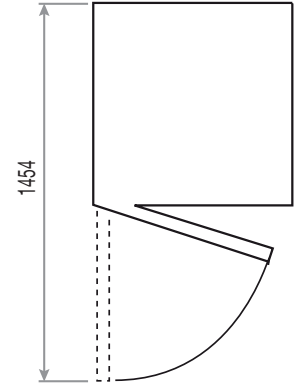
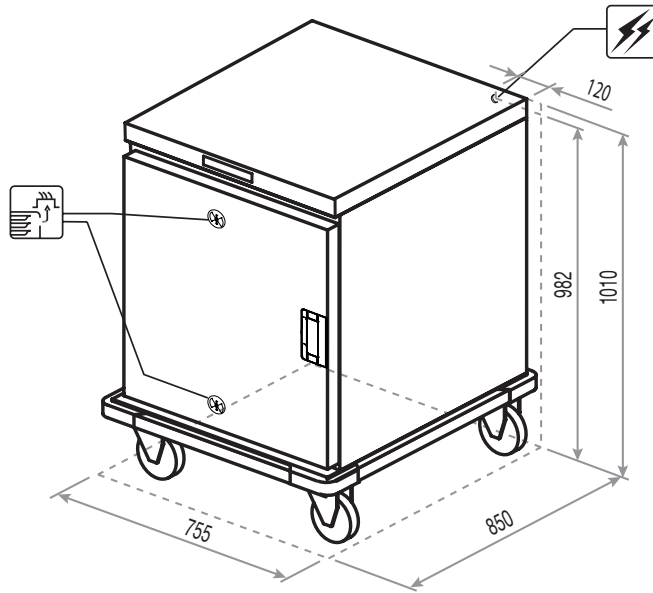
- Kit feet
- Grids
- Trays

## TECHNICAL INSTALLATION DIAGRAM

Electricity supply  
cable inlet 

Vent for excess  
humidity 

**Important** - Drawing and  
dimensions refer to the  
standard version.  
They may change with the  
addition of accessories  
or options.



**Overall dimensions**  
(W x D x H) - mm

755 x 850 x 1010h

**Trays capacity -  
distance [mm]**

8 x GN 2/1 - (75)  
16 x GN 1/1 - (75)

**Tray max. height**  
GN 2/1 [mm]

8 x 65 (h)  
3 x 150 (h)  
2 x 200 (h) + 2 x 65 (h)

**Tray max. height**  
GN 1/1 [mm]

16 x 65 (h)  
6 x 150 (h)  
4 x 200 (h) + 4 x 65 (h)

**Power supply**

AC 220-240V 50/60Hz

**Total input**  
[kW]

1,5 (230V)

**Amps.**  
[A]

6,6 (230V)

**Working  
temperature [°C]**

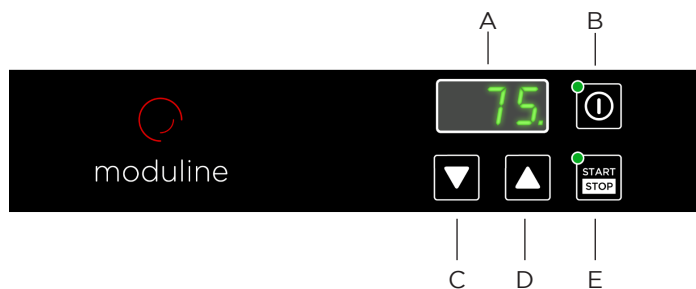
30 ÷ 120

**Product max  
capacity [Kg]**

58

**Net weight**  
[Kg]

62



- A Display
- B ON/OFF switch
- C Temperature decrease key
- D Temperature increase key
- E START/STOP key



# HOLD HHT162E

Warm holding cabinet

## CONSTRUCTION FEATURES

- Tightness chamber with radiuses corners
- All-around rubber bumpers
- Total thermic insulation with rock or glass wool
- Long lasting front seal, made up of food-grade and high-heat resistant silicone
- Double door to reduce mostly the drop in temperature at opening
- Removable side racks to facilitate cleaning
- Static heating provided by low consumption wire heating element that coils up all the chamber
- Ergonomic and fully built-in door handle with magnetic closure
- Mounted on four 150 mm diameter castors, two of which with brake
- Ergonomic handle for pushing and guiding
- Easy access to facilitate maintenance and repair
- Opposite side opening

## FUNCTIONAL FEATURES

- Electronic control of the temperature
- Operating temperature 30° ÷ 120°C
- Adjustable humidity vents on the door
- Chamber with safety thermostat
- Manual keyboard lock


## STANDARD SUPPLY


- Removable GN 2/1 and GN 1/1 tray racks

## OPTIONS & ACCESSORIES

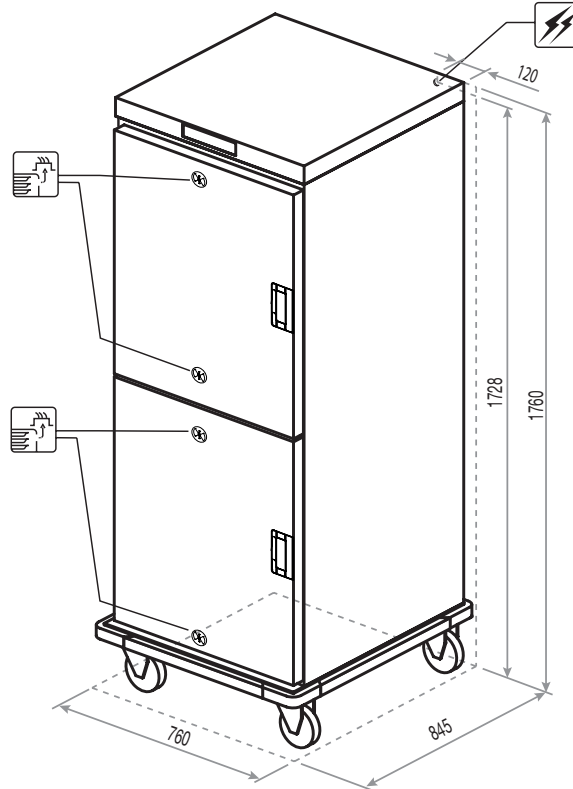
- Kit feet
- Grids
- Trays

## TECHNICAL INSTALLATION DIAGRAM

Electricity supply  
cable inlet 

Vent for excess  
humidity 

**Important** - Drawing and  
dimensions refer to the  
standard version.  
They may change with the  
addition of accessories  
or options.



**Overall dimensions**  
(W x D x H) - mm

760 x 845 x 1760 h

**Total input**  
[kW]

3 (230V)

**Trays capacity -  
distance [mm]**

16 x GN 2/1 - (75)  
32 x GN 1/1 - (75)

**Amps.**  
[A]

13,1 (230V)

**Tray max. height**  
GN 2/1 [mm]

16 x 65 (h)  
6 x 150 (h)  
4 x 200 (h) + 4 x 65 (h)

**Working  
temperature [°C]**

30 ÷ 120

**Tray max. height**  
GN 1/1 [mm]

32 x 65 (h)  
12 x 150 (h)  
8 x 200 (h) + 8 x 65 (h)

**Product max  
capacity [Kg]**

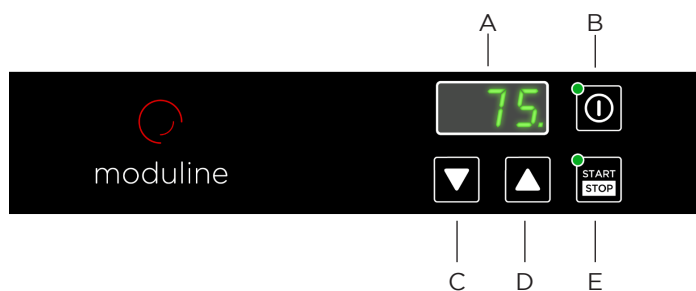
115

**Power supply**

AC 220-240V 50/60Hz

**Net weight**  
[Kg]

106



- A Display
- B ON/OFF switch
- C Temperature decrease key
- D Temperature increase key
- E START/STOP key



# HOLD HHT162EP

Warm holding cabinet

## CONSTRUCTION FEATURES

- Tightness chamber with radiuses corners
- All-around rubber bumpers
- Total thermic insulation with rock or glass wool
- Long lasting front seal, made up of food-grade and high-heat resistant silicone
- Double door to reduce mostly the drop in temperature at opening
- Removable side racks to facilitate cleaning
- Static heating provided by low consumption wire heating element that coils up all the chamber
- Ergonomic and fully built-in door handle with magnetic closure
- Mounted on four 150 mm diameter castors, two of which with brake
- Ergonomic handle for pushing and guiding
- Easy access to facilitate maintenance and repair
- Pass-through cavity, front and rear door
- Opposite side opening

## FUNCTIONAL FEATURES

- Electronic control of the temperature
- Operating temperature 30° ÷ 120°C
- Adjustable humidity vents on the door
- Chamber with safety thermostat
- Manual keyboard lock


## STANDARD SUPPLY


- Removable GN 2/1 and GN 1/1 tray racks

## OPTIONS & ACCESSORIES

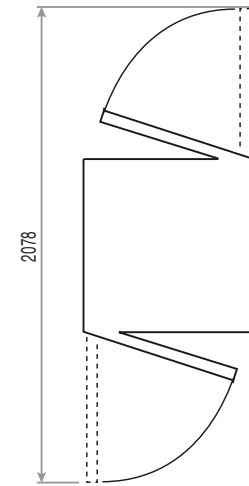
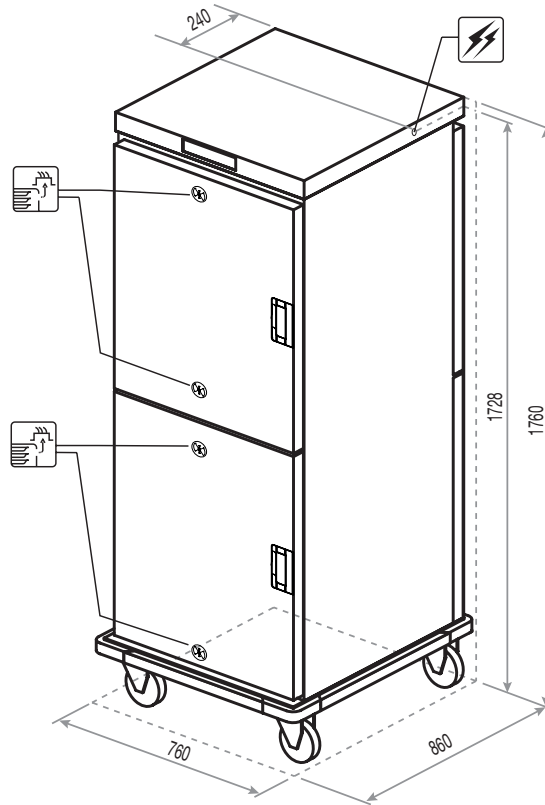
- Kit feet
- Grids
- Trays

## TECHNICAL INSTALLATION DIAGRAM

Electricity supply  
cable inlet 

Vent for excess  
humidity 

**Important** - Drawing and  
dimensions refer to the  
standard version.  
They may change with the  
addition of accessories  
or options.



**Overall dimensions**  
(W x D x H) - mm

760 x 860 x 1760 h

**Trays capacity -  
distance [mm]**

16 x GN 2/1 - (75)  
32 x GN 1/1 - (75)

**Tray max. height  
GN 2/1 [mm]**

16 x 65 (h)  
6 x 150 (h)  
4 x 200 (h) + 4 x 65 (h)

**Tray max. height  
GN 1/1 [mm]**

32 x 65 (h)  
12 x 150 (h)  
8 x 200 (h) + 8 x 65 (h)

**Power supply**

AC 220-240V 50/60Hz

**Total input**  
[kW]

3 (230V)

**Amps.**  
[A]

13,1 (230V)

**Working  
temperature [°C]**

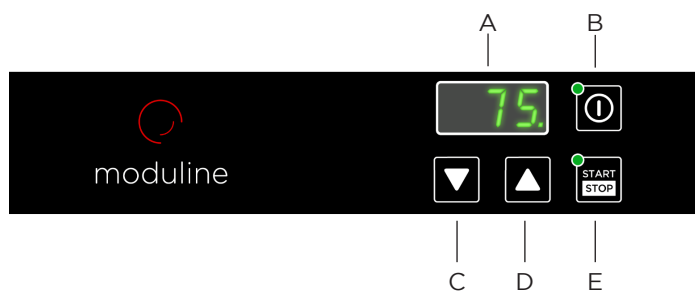
30 ÷ 120

**Product max  
capacity [Kg]**

115

**Net weight**  
[Kg]

106



A Display

B ON/OFF switch

C Temperature decrease key

D Temperature increase key

E START/STOP key



# HOLD HHT282E

Warm holding cabinet

## CONSTRUCTION FEATURES

- Two separately controlled compartments
- All-around rubber bumpers
- Total thermic insulation with rock or glass wool
- Long lasting front seal, made up of food-grade and high-heat resistant silicone
- Removable side racks to facilitate cleaning
- Static heating provided by low consumption wire heating element that coils up all the chamber
- Ergonomic and fully built-in door handles with magnetic closure
- Mounted on four 150 mm diameter castors, two of which with brake
- Ergonomic handle for pushing and guiding
- Easy access to facilitate maintenance and repair
- Opposite side opening

## FUNCTIONAL FEATURES

- Two separate electronic controls
- Operating temperature 30° ÷ 120°C
- Adjustable humidity vents on the doors
- Chamber with safety thermostat
- Manual keyboard lock


## STANDARD SUPPLY


- Removable GN 2/1 and GN 1/1 tray racks

## OPTIONS & ACCESSORIES

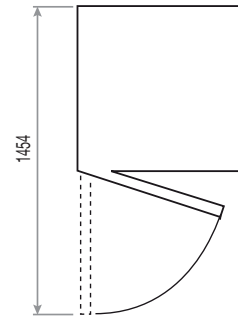
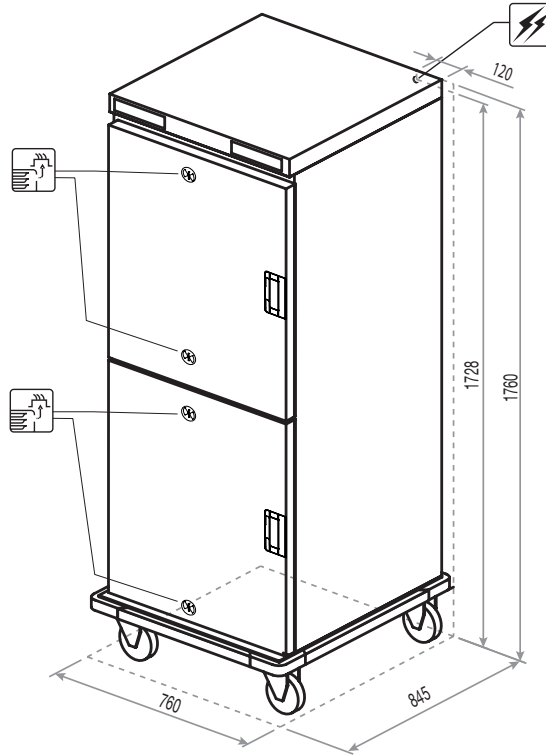
- Kit feet
- Grids
- Trays

## TECHNICAL INSTALLATION DIAGRAM

Electricity supply  
cable inlet 

Vent for excess  
humidity 

**Important** - Drawing and  
dimensions refer to the  
standard version.  
They may change with the  
addition of accessories  
or options.



**Overall dimensions**  
(W x D x H) - mm

760 x 845 x 1760 h

**Trays capacity -  
distance [mm]**

(8+8) x GN 2/1 - (75)  
(16+16) x GN 1/1 - (75)

**Tray max. height  
GN 2/1 [mm]**

8 x 65 (h) + 8 x 65 (h)  
3 x 150 (h) + 3 x 150 (h)  
2 x 200 (h) + 2 x 65 (h) and 2 x 200 (h) + 2 x 65 (h)

**Tray max. height  
GN 1/1 [mm]**

16 x 65 (h) + 16 x 65 (h)  
6 x 150 (h) + 6 x 150 (h)  
4 x 200 (h) + 4 x 65 (h) and 4 x 200 (h) + 4 x 65 (h)

**Power supply**

AC 220-240V 50/60Hz

**Total input**  
[kW]

3 (230V)

**Amps.**  
[A]

13,1 (230V)

**Working  
temperature [°C]**

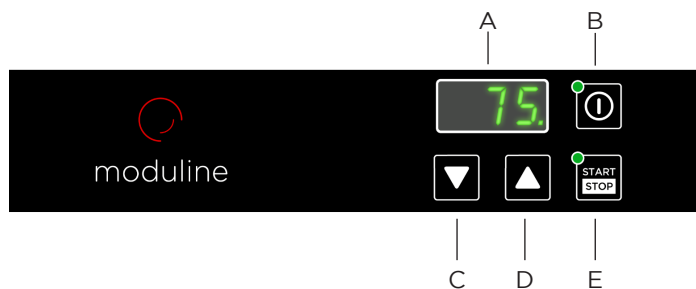
30 ÷ 120

**Product max  
capacity [Kg]**

115

**Net weight**  
[Kg]

111



- A Display
- B ON/OFF switch
- C Temperature decrease key
- D Temperature increase key
- E START/STOP key



# HOLD HHT282EP

Warm holding cabinet

## CONSTRUCTION FEATURES

- Two separately controlled compartments
- All-around rubber bumpers
- Total thermic insulation with rock or glass wool
- Long lasting front seal, made up of food-grade and high-heat resistant silicone
- Removable side racks to facilitate cleaning
- Static heating provided by low consumption wire heating element that coils up all the chamber
- Ergonomic and fully built-in door handles with magnetic closure
- Mounted on four 150 mm diameter castors, two of which with brake
- Ergonomic handle for pushing and guiding
- Easy access to facilitate maintenance and repair
- Pass-through cavity, front and rear door
- Opposite side opening

## FUNCTIONAL FEATURES

- Two separate electronic controls
- Operating temperature 30° ÷ 120°C
- Adjustable humidity vents on the doors
- Chamber with safety thermostat
- Manual keyboard lock


## STANDARD SUPPLY


- Removable GN 2/1 and GN 1/1 tray racks

## OPTIONS & ACCESSORIES

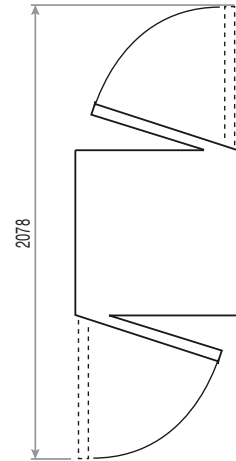
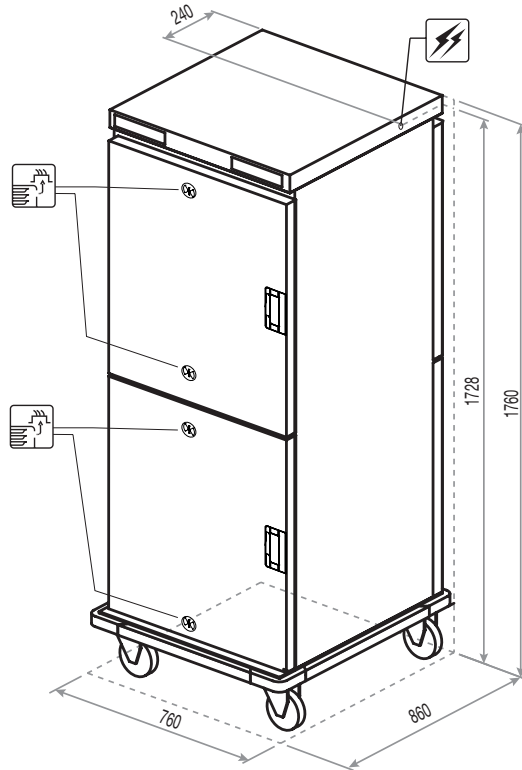
- Kit feet
- Grids
- Trays

## TECHNICAL INSTALLATION DIAGRAM

Electricity supply  
cable inlet 

Vent for excess  
humidity 

**Important** - Drawing and  
dimensions refer to the  
standard version.  
They may change with the  
addition of accessories  
or options.



Overall dimensions  
(W x D x H) - mm

760 x 860 x 1760 h

Trays capacity -  
distance [mm]

(8+8) x GN 2/1 - (75)  
(16+16) x GN 1/1 - (75)

Tray max. height  
GN 2/1 [mm]

8 x 65 (h) + 8 x 65 (h)  
3 x 150 (h) + 3 x 150 (h)  
2 x 200 (h) + 2 x 65 (h) and 2 x 200 (h) + 2 x 65 (h)

Tray max. height  
GN 1/1 [mm]

16 x 65 (h) + 16 x 65 (h)  
6 x 150 (h) + 6 x 150 (h)  
4 x 200 (h) + 4 x 65 (h) and 4 x 200 (h) + 4 x 65 (h)

Power supply

AC 220-240V 50/60Hz

Total input  
[kW]

3 (230V)

Amps.  
[A]

13,1 (230V)

Working  
temperature [°C]

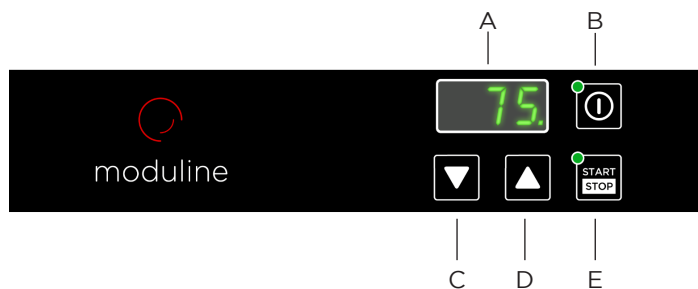
30 ÷ 120

Product max  
capacity [Kg]

115

Net weight  
[Kg]

111



- A Display
- B ON/OFF switch
- C Temperature decrease key
- D Temperature increase key
- E START/STOP key

## По вопросам продаж и поддержки обращайтесь:

Алматы (727)345-47-04  
Ангарск (3955)60-70-56  
Архангельск (8182)63-90-72  
Астрахань (8512)99-46-04  
Барнаул (3852)73-04-60  
Белгород (4722)40-23-64  
Благовещенск (4162)22-76-07  
Брянск (4832)59-03-52  
Владивосток (423)249-28-31  
Владикавказ (8672)28-90-48  
Владимир (4922)49-43-18  
Волгоград (844)278-03-48  
Вологда (8172)26-41-59  
Воронеж (473)204-51-73  
Екатеринбург (343)384-55-89

Иваново (4932)77-34-06  
Ижевск (3412)26-03-58  
Иркутск (395)279-98-46  
Казань (843)206-01-48  
Калининград (4012)72-03-81  
Калуга (4842)92-23-67  
Кемерово (3842)65-04-62  
Киров (8332)68-02-04  
Коломна (4966)23-41-49  
Кострома (4942)77-07-48  
Краснодар (861)203-40-90  
Красноярск (391)204-63-61  
Курск (4712)77-13-04  
Курган (3522)50-90-47  
Липецк (4742)52-20-81

Магнитогорск (3519)55-03-13  
Москва (495)268-04-70  
Мурманск (8152)59-64-93  
Набережные Челны (8552)20-53-41  
Нижний Новгород (831)429-08-12  
Новокузнецк (3843)20-46-81  
Ноябрьск (3496)41-32-12  
Новосибирск (383)227-86-73  
Омск (3812)21-46-40  
Орел (4862)44-53-42  
Оренбург (3532)37-68-04  
Пенза (8412)22-31-16  
Петрозаводск (8142)55-98-37  
Псков (8112)59-10-37  
Пермь (342)205-81-47

Ростов-на-Дону (863)308-18-15  
Рязань (4912)46-61-64  
Самара (846)206-03-16  
Санкт-Петербург (812)309-46-40  
Саратов (845)249-38-78  
Севастополь (8692)22-31-93  
Саранск (8342)22-96-24  
Симферополь (3652)67-13-56  
Смоленск (4812)29-41-54  
Сочи (862)225-72-31  
Ставрополь (8652)20-65-13  
Сургут (3462)77-98-35  
Сыктывкар (8212)25-95-17  
Тамбов (4752)50-40-97  
Тверь (4822)63-31-35

Тольятти (8482)63-91-07  
Томск (3822)98-41-53  
Тула (4872)33-79-87  
Тюмень (3452)66-21-18  
Ульяновск (8422)24-23-59  
Улан-Удэ (3012)59-97-51  
Уфа (347)229-48-12  
Хабаровск (4212)92-98-04  
Чебоксары (8352)28-53-07  
Челябинск (351)202-03-61  
Череповец (8202)49-02-64  
Чита (3022)38-34-83  
Якутск (4112)23-90-97  
Ярославль (4852)69-52-93

**Россия** +7(495)268-04-70

**Казахстан** +7(727)345-47-04

**Беларусь** +(375)257-127-884

**Узбекистан** +998(71)205-18-59

**Киргизия** +996(312)96-26-47

эл.почта: [meo@nt-rt.ru](mailto:meo@nt-rt.ru) || сайт: <https://module.nt-rt.ru/>