

# Вентилируемое охладители НСТ, НФТ

## Технические характеристики

По вопросам продаж и поддержки обращайтесь:

Алматы (727)345-47-04  
Ангарск (3955)60-70-56  
Архангельск (8182)63-90-72  
Астрахань (8512)99-46-04  
Барнаул (3852)73-04-60  
Белгород (4722)40-23-64  
Благовещенск (4162)22-76-07  
Брянск (4832)59-03-52  
Владивосток (423)249-28-31  
Владикавказ (8672)28-90-48  
Владимир (4922)49-43-18  
Волгоград (844)278-03-48  
Вологда (8172)26-41-59  
Воронеж (473)204-51-73  
Екатеринбург (343)384-55-89

Иваново (4932)77-34-06  
Ижевск (3412)26-03-58  
Иркутск (395)279-98-46  
Казань (843)206-01-48  
Калининград (4012)72-03-81  
Калуга (4842)92-23-67  
Кемерово (3842)65-04-62  
Киров (8332)68-02-04  
Коломна (4966)23-41-49  
Кострома (4942)77-07-48  
Краснодар (861)203-40-90  
Красноярск (391)204-63-61  
Курск (4712)77-13-04  
Курган (3522)50-90-47  
Липецк (4742)52-20-81

Магнитогорск (3519)55-03-13  
Москва (495)268-04-70  
Мурманск (8152)59-64-93  
Набережные Челны (8552)20-53-41  
Нижний Новгород (831)429-08-12  
Новокузнецк (3843)20-46-81  
Ноябрьск (3496)41-32-12  
Новосибирск (383)227-86-73  
Омск (3812)21-46-40  
Орел (4862)44-53-42  
Оренбург (3532)37-68-04  
Пенза (8412)22-31-16  
Петрозаводск (8142)55-98-37  
Псков (8112)59-10-37  
Пермь (342)205-81-47

Ростов-на-Дону (863)308-18-15  
Рязань (4912)46-61-64  
Самара (846)206-03-16  
Санкт-Петербург (812)309-46-40  
Саратов (845)249-38-78  
Севастополь (8692)22-31-93  
Саранск (8342)22-96-24  
Симферополь (3652)67-13-56  
Смоленск (4812)29-41-54  
Сочи (862)225-72-31  
Ставрополь (8652)20-65-13  
Сургут (3462)77-98-35  
Сыктывкар (8212)25-95-17  
Тамбов (4752)50-40-97  
Тверь (4822)63-31-35

Тольятти (8482)63-91-07  
Томск (3822)98-41-53  
Тула (4872)33-79-87  
Тюмень (3452)66-21-18  
Ульяновск (8422)24-23-59  
Улан-Удэ (3012)59-97-51  
Уфа (347)229-48-12  
Хабаровск (4212)92-98-04  
Чебоксары (8352)28-53-07  
Челябинск (351)202-03-61  
Череповец (8202)49-02-64  
Чита (3022)38-34-83  
Якутск (4112)23-90-97  
Ярославль (4852)69-52-93

Россия +7(495)268-04-70

Казахстан +7(727)345-47-04

Беларусь +(375)257-127-884

Узбекистан +998(71)205-18-59

Киргизия +996(312)96-26-47

эл.почта: [meo@nt-rt.ru](mailto:meo@nt-rt.ru) || сайт: <https://module.nt-rt.ru/>



# HOLD HCT122E

Ventilated cold  
holding cabinet

## CONSTRUCTION FEATURES

- Chamber with radiused corners and removable side racks to facilitate cleaning
- All-around rubber bumpers
- Highly efficient and thick insulation, casing injected with CFC-free polyurethane foam
- Ergonomic and fully built-in door handles with magnetic closure
- Cooling process through monobloc cooling unit with evaporator
- Environmentally sustainable monobloc cooling unit with gas R290
- Mounted on four 150mm diameter castors, two of which with brake
- Ergonomic handles for pushing and guiding
- Easy access to facilitate maintenance and repair

## FUNCTIONAL FEATURES

- Electronic temperature control with defrosting programme
- Simplified, user-friendly controls
- Operating temperature 0°C / +10°C

## STANDARD SUPPLY

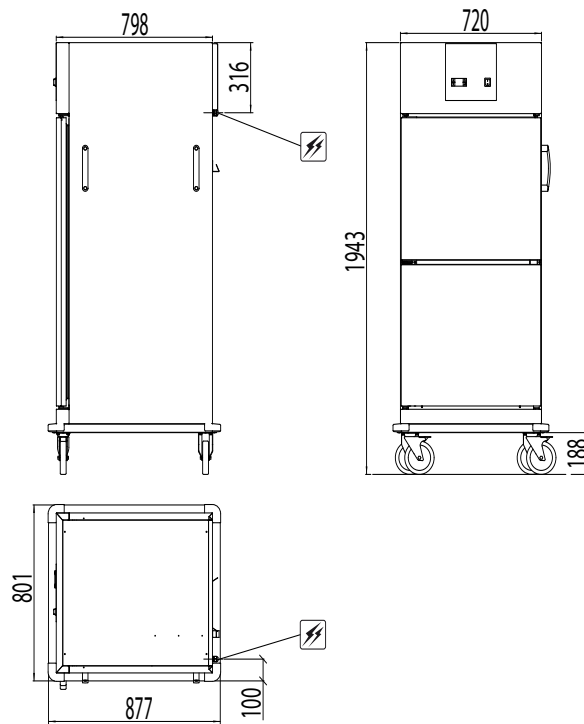
- Removable GN2/1 and GN1/1 tray racks

## OPTIONS & ACCESSORIES

- Grids
- Trays

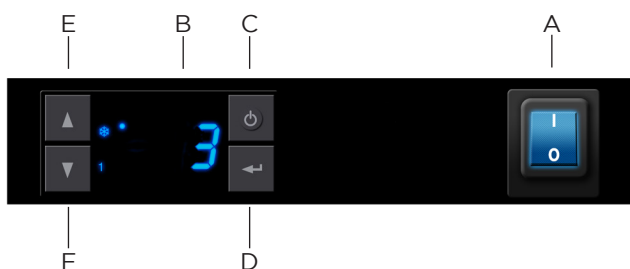
## TECHNICAL INSTALLATION DIAGRAM

Electricity supply  
cable inlet



<b>Overall dimensions</b> (W x D x H) - mm	801 x 877 x 1943h	<b>Power *</b> [kW]	0,23 0,2
<b>Trays capacity</b>	12 x GN 2/1 24 x GN 1/1	<b>Amps. *</b> [A]	1 1,5
<b>Distance</b> [mm]	68	<b>Cooling capacity *</b> [W]	300 430
<b>Plates capacity</b>	48 ø 200-260 24 ø 270-320	<b>Working temperature [°C]</b>	0 ÷ 10
<b>Power supply *</b>	AC 230V 50Hz AC 220-240V 50/60Hz	<b>Product max capacity [Kg]</b>	72
<b>Climate class</b>	5	<b>Net weight</b> [Kg]	120

\* Values are defined by the cooling unit of the machine



- A ON/OFF switch
- B Display
- C Functions key
- D Enter key
- E Temperature increase key
- F Temperature decrease key



# HOLD HFT122E

Ventilated cold  
holding cabinet

## CONSTRUCTION FEATURES

- Chamber with radiused corners and removable side racks to facilitate cleaning
- All-around rubber bumpers
- Highly efficient and thick insulation, casing injected with CFC-free polyurethane foam
- Ergonomic and fully built-in door handles with magnetic closure
- Cooling process through monobloc cooling unit with evaporator
- Environmentally sustainable monobloc cooling unit with gas R290
- Mounted on four 150mm diameter castors, two of which with brake
- Ergonomic handles for pushing and guiding
- Easy access to facilitate maintenance and repair

## FUNCTIONAL FEATURES

- Electronic temperature control with defrosting programme
- Simplified, user-friendly controls
- Operating temperature -18°C / +5°C

## STANDARD SUPPLY

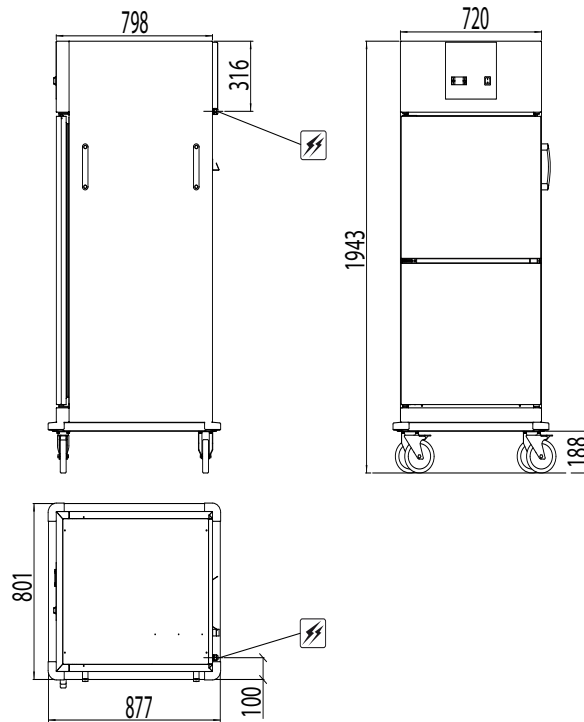
- Removable GN2/1 and GN1/1 tray racks

## OPTIONS & ACCESSORIES

- Grids
- Trays

## TECHNICAL INSTALLATION DIAGRAM

Electricity supply  
cable inlet



Overall dimensions  
(W x D x H) - mm

801 x 877 x 1943h

Trays capacity

12 x GN 2/1  
24 x GN 1/1

Distance  
[mm]

68

Plates capacity

48 ø 200-260  
24 ø 270-320

Power supply \*

AC 230V 50Hz  
AC 220-240V 50Hz

Climate class

5

Power \*  
[kW]

0,55  
0,36

Amps. \*  
[A]

2,4  
2,3

Cooling capacity \*  
[W]

445  
590

Working  
temperature [°C]

-18 ÷ 5

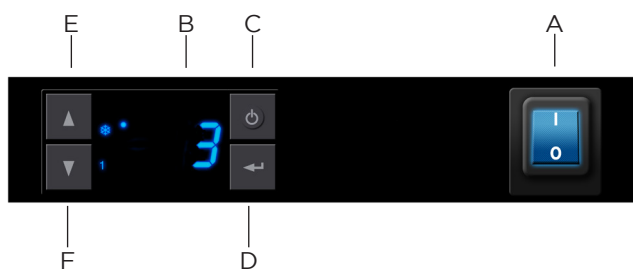
Product max  
capacity [Kg]

72

Net weight  
[Kg]

120

\* Values are defined by the cooling unit of the machine



A ON/OFF switch

B Display

C Functions key

D Enter key

E Temperature increase key

F Temperature decrease key



# HOLD HCT162E

Ventilated cold  
holding cabinet

## CONSTRUCTION FEATURES

- Chamber with radiused corners and removable side racks to facilitate cleaning
- All-around rubber bumpers
- Highly efficient and thick insulation, casing injected with CFC-free polyurethane foam
- Ergonomic and fully built-in door handles with magnetic closure
- Cooling process through monobloc cooling unit with evaporator
- Environmentally sustainable monobloc cooling unit with gas R290
- Mounted on four 150mm diameter castors, two of which with brake
- Ergonomic handles for pushing and guiding
- Easy access to facilitate maintenance and repair

## FUNCTIONAL FEATURES

- Electronic temperature control with defrosting programme
- Simplified, user-friendly controls
- Operating temperature 0°C / +10°C


## STANDARD SUPPLY

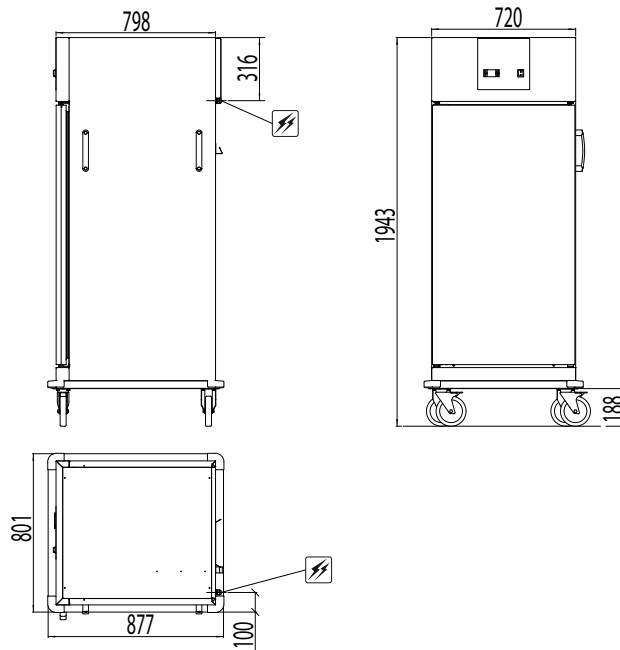
- Removable GN2/1 and GN1/1 tray racks

## OPTIONS & ACCESSORIES

- Grids
- Trays

## TECHNICAL INSTALLATION DIAGRAM

Electricity supply  
cable inlet 



Overall dimensions  
(W x D x H) - mm

801 x 877 x 1943h

Trays capacity

16 x GN 2/1  
32 x GN 1/1

Distance  
[mm]

68

Plates capacity

64 ø 200-260  
32 ø 270-320

Power supply \*

AC 230V 50Hz  
AC 220-240V 50/60Hz

Climate class

5

Power \*  
[kW]

0,23  
0,2

Amps. \*  
[A]

1  
1,5

Cooling capacity \*  
[W]

300  
430

Working  
temperature [°C]

0 ÷ 10

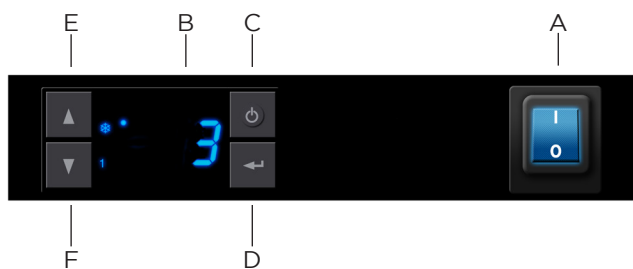
Product max  
capacity [Kg]

96

Net weight  
[Kg]

120

\* Values are defined by the cooling unit of the machine



- A ON/OFF switch
- B Display
- C Functions key
- D Enter key
- E Temperature increase key
- F Temperature decrease key



# HOLD HFT162E

Ventilated cold  
holding cabinet

## CONSTRUCTION FEATURES

- Chamber with radiused corners and removable side racks to facilitate cleaning
- All-around rubber bumpers
- Highly efficient and thick insulation, casing injected with CFC-free polyurethane foam
- Ergonomic and fully built-in door handles with magnetic closure
- Cooling process through monobloc cooling unit with evaporator
- Environmentally sustainable monobloc cooling unit with gas R290
- Mounted on four 150mm diameter castors, two of which with brake
- Ergonomic handles for pushing and guiding
- Easy access to facilitate maintenance and repair

## FUNCTIONAL FEATURES

- Electronic temperature control with defrosting programme
- Simplified, user-friendly controls
- Operating temperature -18°C / +5°C

## STANDARD SUPPLY

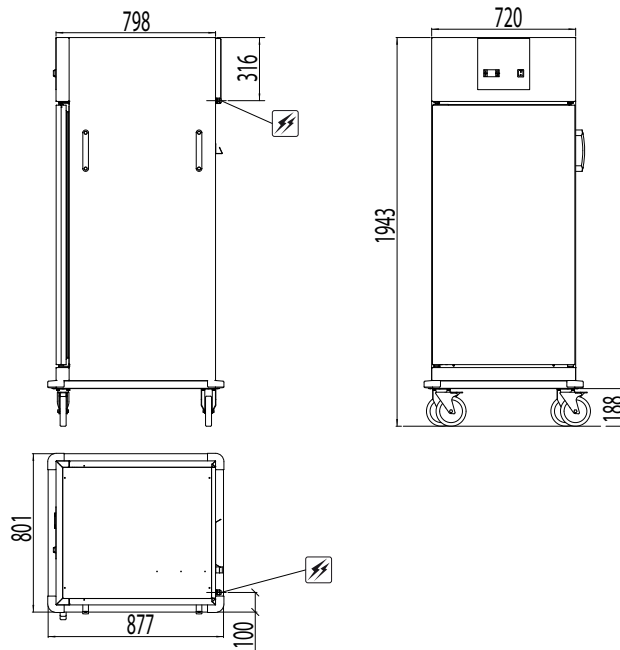
- Removable GN2/1 and GN1/1 tray racks

## OPTIONS & ACCESSORIES

- Grids
- Trays

## TECHNICAL INSTALLATION DIAGRAM

Electricity supply  
cable inlet



Overall dimensions  
(W x D x H) - mm

801 x 877 x 1943h

Trays capacity

16 x GN 2/1  
32 x GN 1/1

Distance  
[mm]

68

Plates capacity

64 ø 200-260  
32 ø 270-320

Power supply \*

AC 230V 50Hz  
AC 220-240V 50Hz

Climate class

5

Power \*  
[kW]

0,55  
0,36

Amps. \*  
[A]

2,4  
2,3

Cooling capacity \*  
[W]

445  
590

Working  
temperature [°C]

-18 ÷ 5

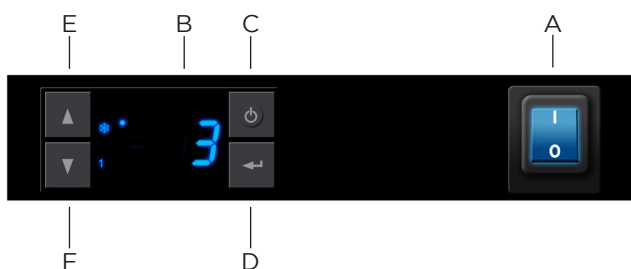
Product max  
capacity [Kg]

96

Net weight  
[Kg]

120

\* Values are defined by the cooling unit of the machine



A ON/OFF switch

B Display

C Functions key

D Enter key

E Temperature increase key

F Temperature decrease key

## По вопросам продаж и поддержки обращайтесь:

Алматы (727)345-47-04  
Ангарск (3955)60-70-56  
Архангельск (8182)63-90-72  
Астрахань (8512)99-46-04  
Барнаул (3852)73-04-60  
Белгород (4722)40-23-64  
Благовещенск (4162)22-76-07  
Брянск (4832)59-03-52  
Владивосток (423)249-28-31  
Владикавказ (8672)28-90-48  
Владимир (4922)49-43-18  
Волгоград (844)278-03-48  
Вологда (8172)26-41-59  
Воронеж (473)204-51-73  
Екатеринбург (343)384-55-89

Иваново (4932)77-34-06  
Ижевск (3412)26-03-58  
Иркутск (395)279-98-46  
Казань (843)206-01-48  
Калининград (4012)72-03-81  
Калуга (4842)92-23-67  
Кемерово (3842)65-04-62  
Киров (8332)68-02-04  
Коломна (4966)23-41-49  
Кострома (4942)77-07-48  
Краснодар (861)203-40-90  
Красноярск (391)204-63-61  
Курск (4712)77-13-04  
Курган (3522)50-90-47  
Липецк (4742)52-20-81

Магнитогорск (3519)55-03-13  
Москва (495)268-04-70  
Мурманск (8152)59-64-93  
Набережные Челны (8552)20-53-41  
Нижний Новгород (831)429-08-12  
Новокузнецк (3843)20-46-81  
Ноябрьск (3496)41-32-12  
Новосибирск (383)227-86-73  
Омск (3812)21-46-40  
Орел (4862)44-53-42  
Оренбург (3532)37-68-04  
Пенза (8412)22-31-16  
Петрозаводск (8142)55-98-37  
Псков (8112)59-10-37  
Пермь (342)205-81-47

Ростов-на-Дону (863)308-18-15  
Рязань (4912)46-61-64  
Самара (846)206-03-16  
Санкт-Петербург (812)309-46-40  
Саратов (845)249-38-78  
Севастополь (8692)22-31-93  
Саранск (8342)22-96-24  
Симферополь (3652)67-13-56  
Смоленск (4812)29-41-54  
Сочи (862)225-72-31  
Ставрополь (8652)20-65-13  
Сургут (3462)77-98-35  
Сыктывкар (8212)25-95-17  
Тамбов (4752)50-40-97  
Тверь (4822)63-31-35

Тольятти (8482)63-91-07  
Томск (3822)98-41-53  
Тула (4872)33-79-87  
Тюмень (3452)66-21-18  
Ульяновск (8422)24-23-59  
Улан-Удэ (3012)59-97-51  
Уфа (347)229-48-12  
Хабаровск (4212)92-98-04  
Чебоксары (8352)28-53-07  
Челябинск (351)202-03-61  
Череповец (8202)49-02-64  
Чита (3022)38-34-83  
Якутск (4112)23-90-97  
Ярославль (4852)69-52-93

**Россия** +7(495)268-04-70

**Казахстан** +7(727)345-47-04

**Беларусь** +(375)257-127-884

**Узбекистан** +998(71)205-18-59

**Киргизия** +996(312)96-26-47

эл.почта: [meo@nt-rt.ru](mailto:meo@nt-rt.ru) || сайт: <https://module.nt-rt.ru/>